

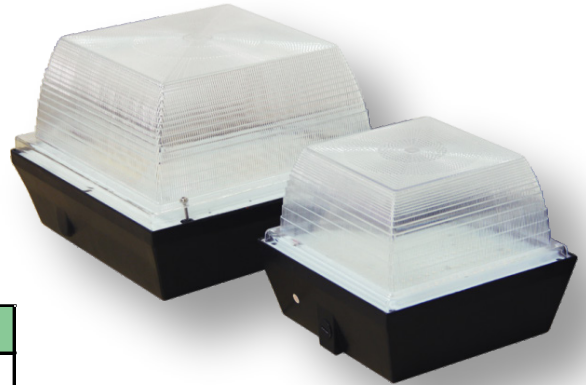


GREENSTONE (USA), INC.
 971 Corporate Way, Fremont, CA 94539, USA
 Toll Free: 877-206-5021, Fax: (510) 683-9313
 jamal@greenstoneusa.com, john@greenstoneusa.com
 www.greenstoneusa.com

LED Canopy Light

GS-CP-40W-5700

LED Canopy Light Data Sheet



Specifications	
Dimensions	8.9"×8.9"×7.3"
	225×225×185mm
Part No.	GS-CP-40W-5700
Input Power	40W
Lumen Output	3,600 lm
Lumen Efficiency	90lm/W
Color Temperature	5700K
ETL Code	Yes
DLC Code	Yes
CRI	80
IP Grade	IP65
Input Voltage	AC100~277V,50/60Hz
Materials	
Power Driver	Driver
LED Brand	Philips 3030
Lens	UV
Housing	Die-cast Aluminum
Additional	
Operating Temp.	-35°C To 55°C
Operating Humidity	20%~85% RH
Storage Temp.	-30°C To 80°C
Storage Humidity	10%~75% RH
Application Safety	Outdoor
Certification Rated	ETL DLC Lighting Facts
Lifetime	50,000 Hours
Warranty Time	5 Years (Extended Available)

Widely used in construction site lighting, plant lighting, industrial lighting, sports centers, gas stations, parking lots, railway stations, ports, terminals, large-scale energy-efficient lighting. The whole lamp with the powder coating is brighter, without fading and corrosion. Silicone rubber seal, moisture, high temperature. Built-in light module, easy maintenance, low maintenance costs. Available with Photocell or PIR sensor.

50,000 hours life rating, **5 years warranty** and extensions available.





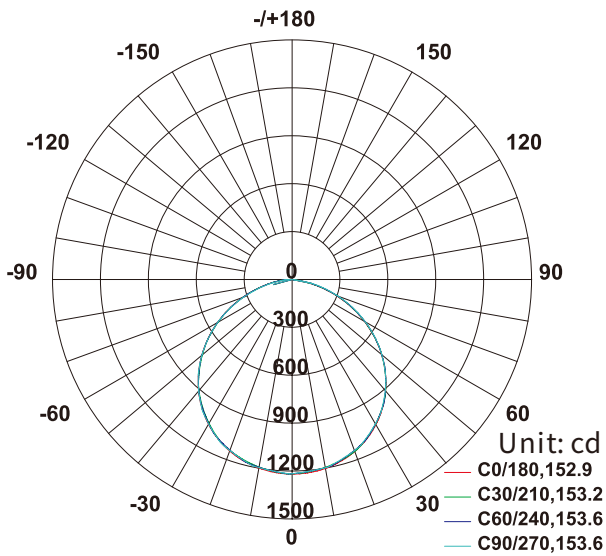
GREENSTONE (USA), INC.
 971 Corporate Way, Fremont, CA 94539, USA
 Toll Free: 877-206-5021, Fax: (510) 683-9313
 jamal@greenstoneusa.com, john@greenstoneusa.com
 www.greenstoneusa.com

LED Canopy Light



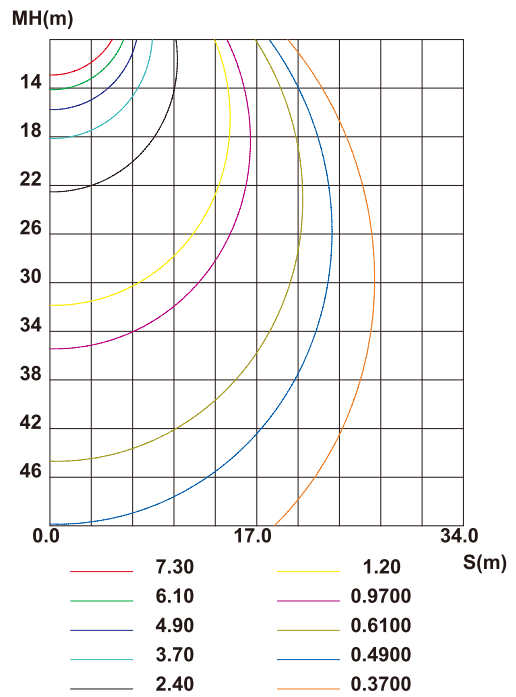
Light Distribution Curve Reference:

Light Distribution Curve Drawing

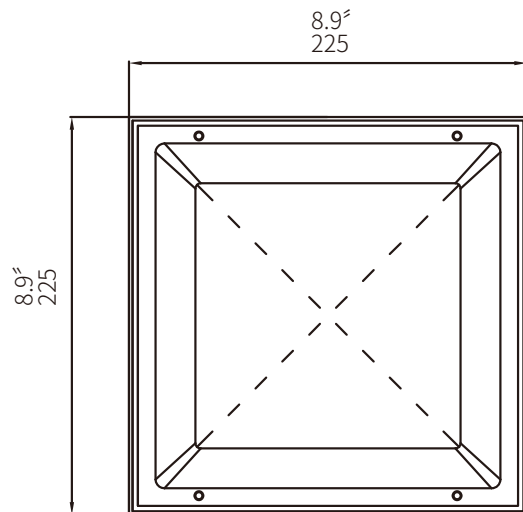
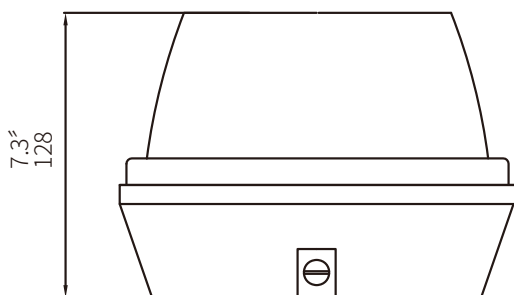


Average beam angle(50%): 153.3°

Illumination Distribution Drawing



Drawing:





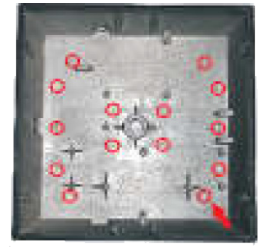
Installation



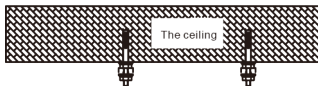
The mounting place is removable by unscrewing from red points.



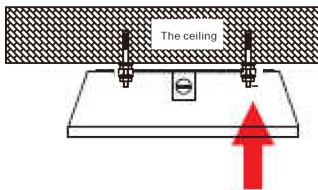
Remove the light source and power supply modules.



Mounting place with universal mounting holes for different types of junction boxes 3/4" outlet (Arrows point to the red circle) for photocell or conduit installation.



According to the number of the lamps and lanterns of size on the ceiling.

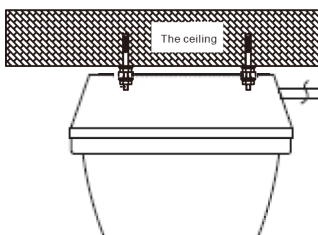


Installation of fixed block to the junction box the ceiling.



LED light source and power supply module is installed.

Connect the input cable. (Perform in case of power failure.)



Place the lamp cover onto the lamp housing and tighten the screws. Installation completed.



GREENSTONE (USA), INC.
 971 Corporate Way, Fremont, CA 94539, USA
 Toll Free: 877-206-5021, Fax: (510) 683-9313
 jamal@greenstoneusa.com, john@greenstoneusa.com
 www.greenstoneusa.com

LED Canopy Light

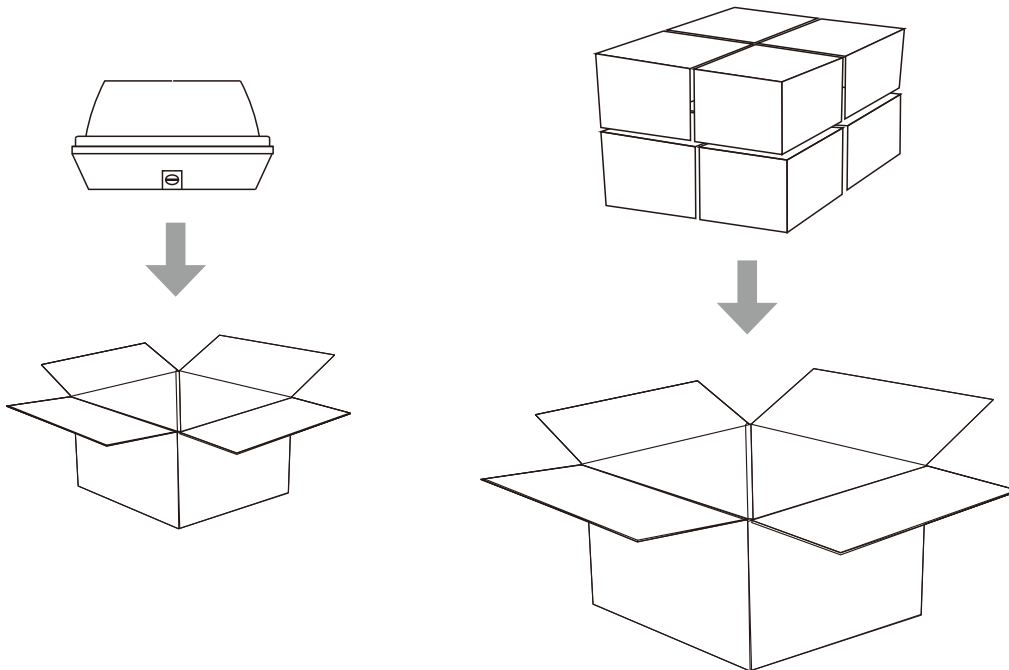


Ordering Information:

Model No.	Power Usage Watts	Dimensions L×W×H	Weight (lbs)	CCT	Output Lumens
GS-CP-40W-5700	40W	8.9"×8.9"×7.3"	6.6	5700K	3,600 lms

Packaging:

Model No.	Q'ty Per Carton	Carton Size L×W×H	Gross Weight (lbs)
GS-CP-40W-5700	8	19.3"×19.3"×15.9"	48.5





GREENSTONE (USA), INC.
971 Corporate Way, Fremont, CA 94539, USA
Toll Free: 877-206-5021, Fax: (510) 683-9313
jamal@greenstoneusa.com, john@greenstoneusa.com
www.greenstoneusa.com

LED Canopy Light



Warranty

5 years warranty for original purchaser of LED product that is identified on seller's invoice reflecting its original purchase (the "Product").

1. In order to make a warranty claim, you must notify seller in writing within sixty (60) days after your discovery of the defect, provide proof of purchase such as the invoice and comply with seller's other warranty requirements. Upon receiving that notice, to ascertain why fixtures stop working, evidences would be needed for seller's QC Team to analyze. Seller may require you to promptly return the Product to Seller when necessary, freight prepaid.
2. The determination of whether the Product is defective shall be made by Seller in its sole discretion with consideration given to the overall performance of the Product.
3. If seller determines the Product is defective, Seller will elect, in its sole discretion, repair the Product or replace the Product. Seller reserves the right to utilize new, reconditioned, refurbished, repaired or remanufactured products or parts in the warranty repair or replacement process. Such products and parts will be comparable in function and performance to an original product or part, as determined by Seller in its sole discretion, and warranted for the remainder of the original warranty period. However, cost of labor and equipment to remove the defective product and install a repaired or a replacement Product at the end-user facility are excluded. Supplier's aggregate liability with respect to a defective product shall in any event be limited to the money paid to buyer for that defective product.

The following circumstances will not be warranted:

1. Damage caused by force majeure such as war, riots, sabotage, cyclones, earthquakes, tidal waves, flooding, lighting strikes, explosions, fire, flood, etc.
2. Damage caused by user's improper delivery, defects caused by wrong operation, wrong treatment and destruction of machinery.
3. Dismantling or modification or improper maintenance or repairing of the products without the supplier's authorization.
4. Damage caused by buyer or installer using bad quality cable or other mismatching electronic parts.
5. This warranty is invalid if the product is not used for the purpose for which is originally designed. Any disputes occurred shall be applied to the laws and regulations of P.R.C.

The seller has the sole right to interpret and amend the above articles.

Reminder

We appreciate your purchase!
Please read the instruction manual before installation and keep it for future reference.

Warning

1. To avoid damage, falling, electric shock or fire, please do not modify the lamp or replace accessories without confirming with the supplier first.
2. Please authorize only qualified personnel to install the lamp and ensure they follow the instruction manual. Any improper installation might cause falling, electric shock, fire, or other injury, damage or hazard.
3. Please disconnect power before installation or any maintenance of the lamp.
4. Please disconnect power if it begins to smoke or emit odors, since fire or electric shock may occur. Ask qualified person to inspect and maintain the luminaire.
5. Please do not dismantle the lamp without the supplier's authorization.
6. Please do not touch the power supply when the lamp is operating.
7. If the external flexible cable or cord of the luminaire is damaged, it should only be replaced by the supplier, a service agent or qualified person.