



GREENSTONE (USA), INC.
 971 Corporate Way, Fremont, CA 94539, USA
 Toll Free: 877-206-5021, Fax: (510) 683-9313
 jamal@greenstoneusa.com, john@greenstoneusa.com
 www.greenstoneusa.com

Dimmable High Bay (UFO) LED Light

GS-HB150W-5000
GS-HB200W-5000
GS-HB240W-5000

Dimmable High Bay (UFO) LED Light Data Sheet



Specifications			
Model No.	GS-HB150W-5000 GS-HB200W-5000 GS-HB240W-5000		
Input Power	150W	200W	240W
Lumen Output	20,780 lm	26,214 lm	28,671 lm
Lumen Efficiency	>138 lm/W	>131 lm/W	>119 lm/W
Color Temperature	5000K		
Dimmable	0-10V		
UL Code	Yes		
DLC Code	Yes		
CRI	>80		
IP Grade	IP65		
Beam Angle	130 Degrees		
Input Voltage	AC100-277V 50/60Hz		
Materials			
LED Brand	Philips 3030		
Power Driver	Mean Well		
LED Qty.	224 / 420 / 480 pcs		
Additional			
Operating Temp.	-20°C To 40°C		
Operating Humidity	15%~90% RH		
Storage Temp.	-40°C To 70°C		
Storage Humidity	10%~75% RH		
Application	Indoor		
Safety Certification	ETL UL Lighting Facts		
Rated Lifetime	50,000 Hours		
Warranty Time	5 Years (Extended Available)		

Super bright SMD LED as lighting sources; high efficiency, energy saving, Eco-friendly. Integration for die-casting radiator fins, ultra-thin light emitting surface, reduce the concentration of heat, more rapid heat dissipation, greatly reducing source temperature, prolong life, improve the luminous efficiency. Exposure process high thermal conductivity aluminum substrate, high reflectivity, luminous angle of 130°.

50,000 hours life rating, 5 years warranty and extensions available.





GREENSTONE (USA), INC.
 971 Corporate Way, Fremont, CA 94539, USA
 Toll Free: 877-206-5021, Fax: (510) 683-9313
 jamal@greenstoneusa.com, john@greenstoneusa.com
 www.greenstoneusa.com

Dimmable High Bay (UFO) LED Light

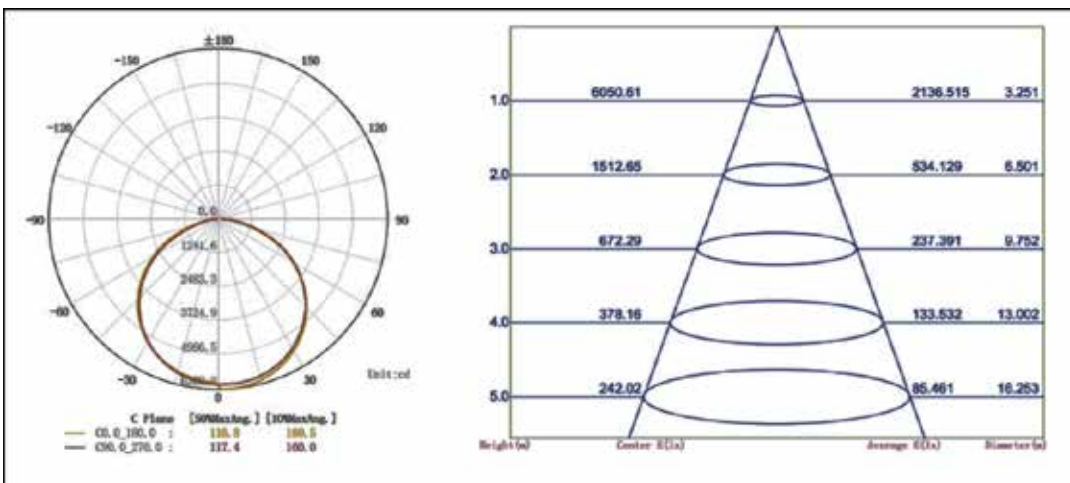


LED High Bay Light Series:

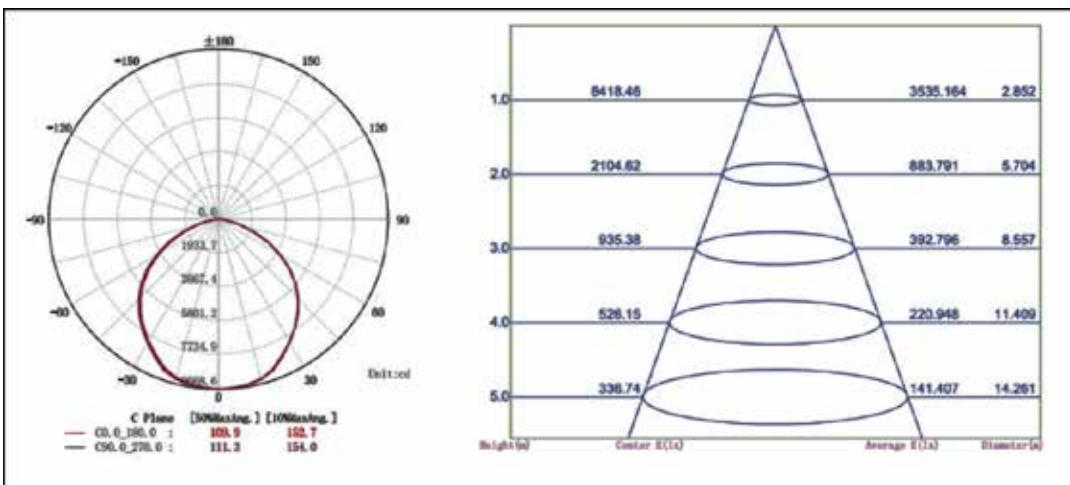
Light distribution curve drawing

Illumination Distribution Drawing

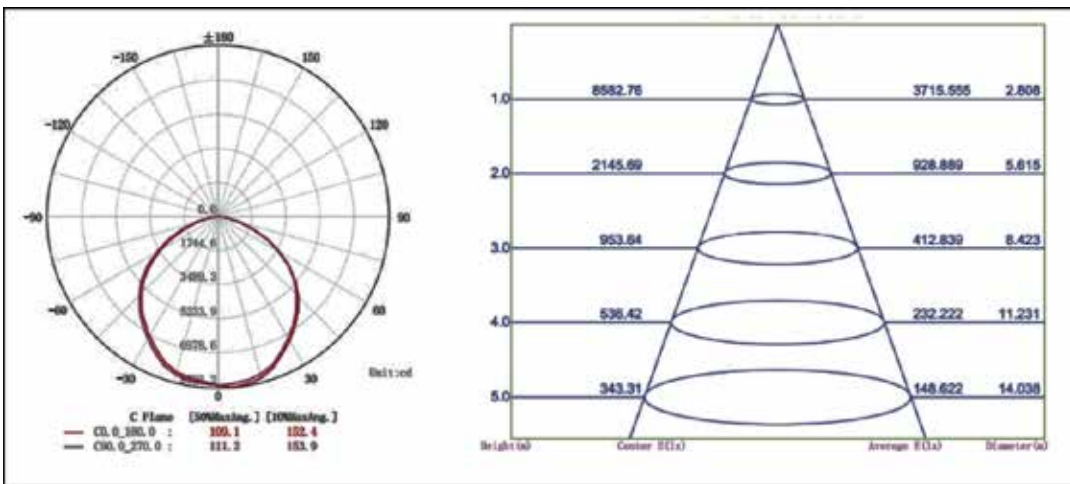
GS-HB150W-5000



GS-HB200W-5000



GS-HB240W-5000





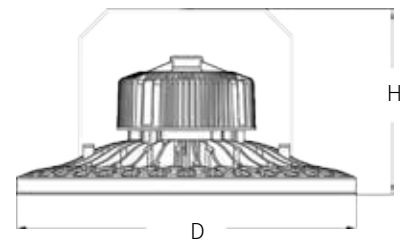
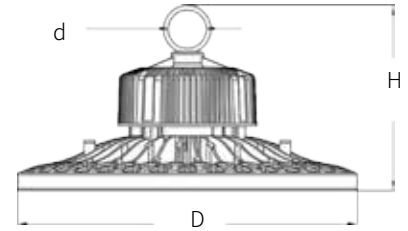
GREENSTONE (USA), INC.
 971 Corporate Way, Fremont, CA 94539, USA
 Toll Free: 877-206-5021, Fax: (510) 683-9313
 jamal@greenstoneusa.com, john@greenstoneusa.com
 www.greenstoneusa.com

Dimmable High Bay (UFO) LED Light



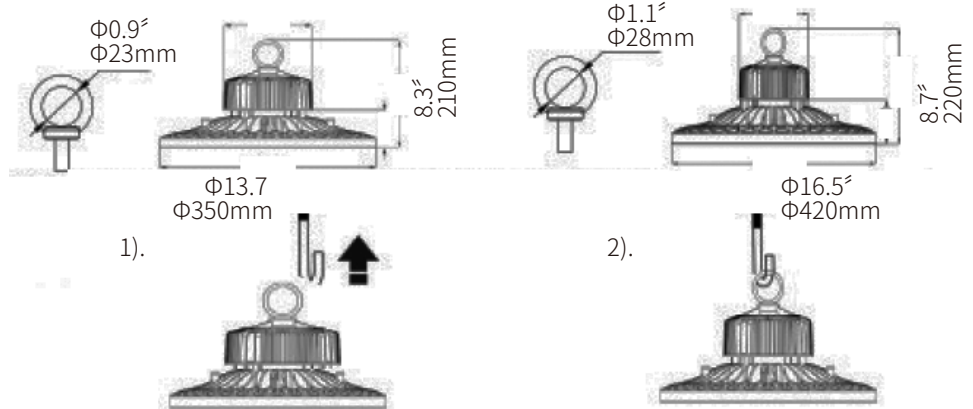
Drawing :

Model No.	Dimensions (inche / mm)		
	d (Φ)	D (Φ)	H
GS-HB150W-5000	0.9 / 23	13.7 / 350	8.3 / 210
GS-HB200W-5000	1.1 / 28	16.5 / 420	8.7 / 220
GS-HB240W-5000	1.1 / 28	16.5 / 420	8.7 / 220

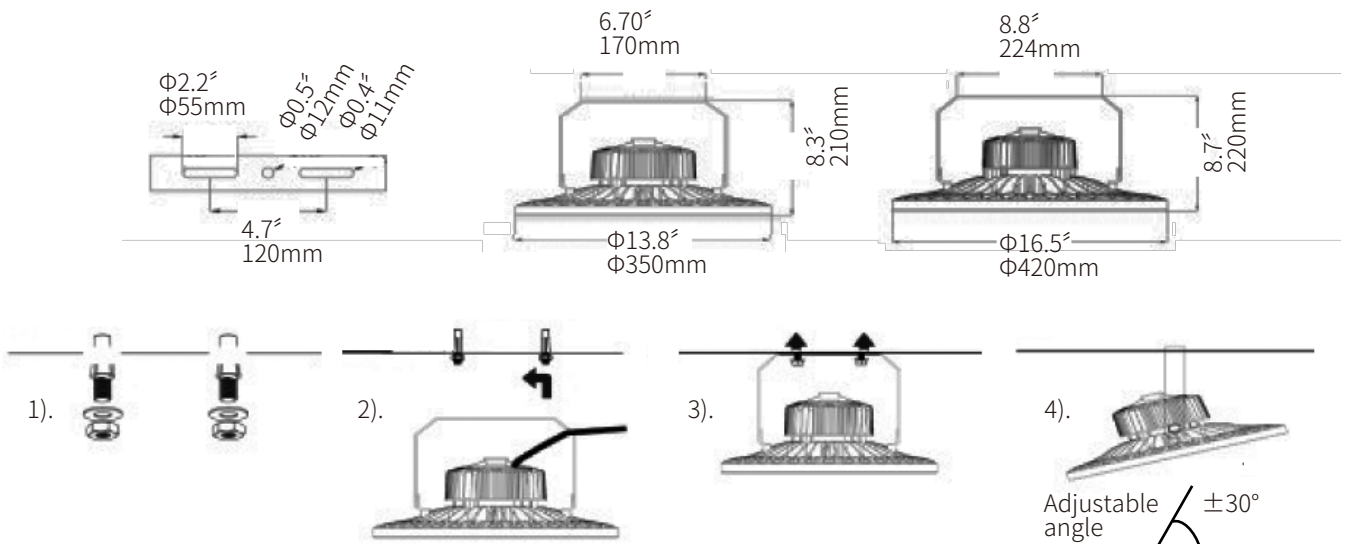


Installation:

1. Loop hanging installation



2. Adjustable surface mount installation



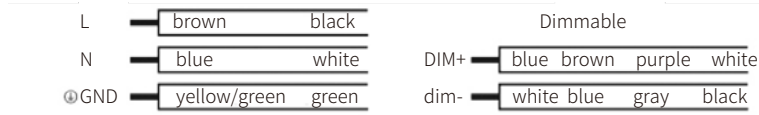


GREENSTONE (USA), INC.
 971 Corporate Way, Fremont, CA 94539, USA
 Toll Free: 877-206-5021, Fax: (510) 683-9313
 jamal@greenstoneusa.com, john@greenstoneusa.com
 www.greenstoneusa.com

Dimmable High Bay (UFO) LED Light



3. Wiring Diagram



4. Troubleshooting

Problem	Possible Cause	Solutions
LEDs stop working	The power line is improperly connected	Reconnect the power cable
	The power plug is loose	Firmly plug the power in
	The LED driver malfunctions	Replace the new driver
	The LED chip is damaged	Replace with new LEDs
LEDs flash on and off	The output of the driver is abnormal	Replace with new driver
	The LED chip breaks down	Replace with new LED chip

Application:

With unique high purity die-cast aluminum heat sink, high-brightness SMD chip, high-efficiency constant current and constant voltage power driver, the MINI LED high bay is designed for factories, workshops, warehouse, highway toll stations, gas stations, supermarkets, exhibition halls, stadiums and similar applications.





GREENSTONE (USA), INC.
 971 Corporate Way, Fremont, CA 94539, USA
 Toll Free: 877-206-5021, Fax: (510) 683-9313
 jamal@greenstoneusa.com, john@greenstoneusa.com
 www.greenstoneusa.com

Dimmable High Bay (UFO) LED Light



Ordering Information:

Model No.	Power Usage	Dimensions L×W×H (Inches/mm)	Weight (lbs)	CCT	AC Input Voltage
GS-HB150W-5000	150W	13.8"×8.3"	11.46	5000K	AC100-277V
GS-HB200W-5000	200W	16.5"×8.7"	14.55	5000K	AC100-277V
GS-HB240W-5000	240W	16.5"×8.7"	14.55	5000K	AC100-277V

Packaging:

Model No.	Q'ty Per Carton	Carton Size L×W×H (Inches/mm)	Gross Weight (lbs)
GS-HB150W-5000	1	16.4"×15.4"×8.1"	15.88
GS-HB150W-5000	2	25.2"×16.2"×9.5"	28.66
GS-HB200W-5000	1	19.1"×18.2"×8.9"	18.08
GS-HB240W-5000	1	19.1"×18.2"×8.9"	18.08





GREENSTONE (USA), INC.
971 Corporate Way, Fremont, CA 94539, USA
Toll Free: 877-206-5021, Fax: (510) 683-9313
jamal@greenstoneusa.com, john@greenstoneusa.com
www.greenstoneusa.com

Dimmable High Bay (UFO) LED Light



Warranty

5 years warranty for original purchaser of LED product that is identified on seller's invoice reflecting its original purchase (the "Product").

1. In order to make a warranty claim, you must notify seller in writing within sixty (60) days after your discovery of the defect, provide proof of purchase such as the invoice and comply with seller's other warranty requirements. Upon receiving that notice, to ascertain why fixtures stop working, evidences would be needed for seller's QC Team to analyze. Seller may require you to promptly return the Product to Seller when necessary, freight prepaid.
2. The determination of whether the Product is defective shall be made by Seller in its sole discretion with consideration given to the overall performance of the Product.
3. If seller determines the Product is defective, Seller will elect, in its sole discretion, repair the Product or replace the Product. Seller reserves the right to utilize new, reconditioned, refurbished, repaired or remanufactured products or parts in the warranty repair or replacement process. Such products and parts will be comparable in function and performance to an original product or part, as determined by Seller in its sole discretion, and warranted for the remainder of the original warranty period. However, cost of labor and equipment to remove the defective product and install a repaired or a replacement Product at the end-user facility are excluded. Supplier's aggregate liability with respect to a defective product shall in any event be limited to the money paid to buyer for that defective product.

The following circumstances will not be warranted:

1. Damage caused by force majeure such as war, riots, sabotage, cyclones, earthquakes, tidal waves, flooding, lighting strikes, explosions, fire, flood, etc.
2. Damage caused by user's improper delivery, defects caused by wrong operation, wrong treatment and destruction of machinery.
3. Dismantling or modification or improper maintenance or repairing of the products without the supplier's authorization.
4. Damage caused by buyer or installer using bad quality cable or other mismatching electronic parts.
5. This warranty is invalid if the product is not used for the purpose for which is originally designed. Any disputes occurred shall be applied to the laws and regulations of P.R.C.

The seller has the sole right to interpret and amend the above articles.

Reminder

We appreciate your purchase!
Please read the instruction manual before installation and keep it for future reference.

Warning

1. To avoid damage, falling, electric shock or fire, please do not modify the lamp or replace accessories without confirming with the supplier first.
2. Please authorize only qualified personnel to install the lamp and ensure they follow the instruction manual. Any improper installation might cause falling, electric shock, fire, or other injury, damage or hazard.
3. Please disconnect power before installation or any maintenance of the lamp.
4. Please disconnect power if it begins to smoke or emit odors, since fire or electric shock may occur. Ask qualified person to inspect and maintain the luminaire.
5. Please do not dismantle the lamp without the supplier's authorization.
6. Please do not touch the power supply when the lamp is operating.
7. If the external flexible cable or cord of the luminaire is damaged, it should only be replaced by the supplier, a service agent or qualified person.