



**GREENSTONE (USA), INC.**  
 971 Corporate Way, Fremont, CA 94539, USA  
 Toll Free: 877-206-5021, Fax: (510) 683-9313  
 jamal@greenstoneusa.com, john@greenstoneusa.com  
 www.greenstoneusa.com

# LED Shoebox Light

**GS-SB-75W    GS-SB-110W    GS-SB-150W**

**GS-SB-180W    GS-SB-225W    GS-SB-265W**

## LED Shoebox Light Data Sheet



Specifications	
Part No.	GS-SB-75W    GS-SB-110W    GS-SB-150W    GS-SB-180W    GS-SB-225W    GS-SB-265W
Input Power	75W / 110W / 150W / 180W / 225W / 265W
Lumen Output	9750 / 14300 / 19500 / 23400 / 29250 / 34450 lm
Lumen Efficiency	130 lm/W
Color Temperature	3000-6500K
UL Code	Yes
DLC Code	Yes
CRI	>70 or >80
Optional Beam Angle	70×130°(Type II)/75×150°(Type III)/150°(Type V)
Input Voltage	AC100~277V 50/60Hz
Materials	
Power Driver	Mean Well
LED Brand	Philips 3030
Heat Radiator	Anodized Aluminum
Lens Material	Optical Level Polycarbonate
Additional	
Operating Temp.	-35°C To 60°C
Operating Humidity	20%~70% RH
Storage Temp.	-30°C To 80°C
Storage Humidity	10%~75% RH
Application	Outdoor
Safety Certification	UL   DLC   MW   Lighting Facts
Rated Lifetime	50,000 Hours
Warranty Time	5 Years (Extended Available)

Specialized designed for outdoor parking lot and wide area, using 70×130° (TYPE II) beam angles as its main option. The lens are perfectly Suitable for outdoor parking lot lighting and outdoor area lighting.  
 High efficiency fishbone style heat dissipation structure.  
 Dustproof and waterproof.  
 Microwave & Daylight sensors available.  
**50,000** hours life rating, **5 years warranty** and extensions available.



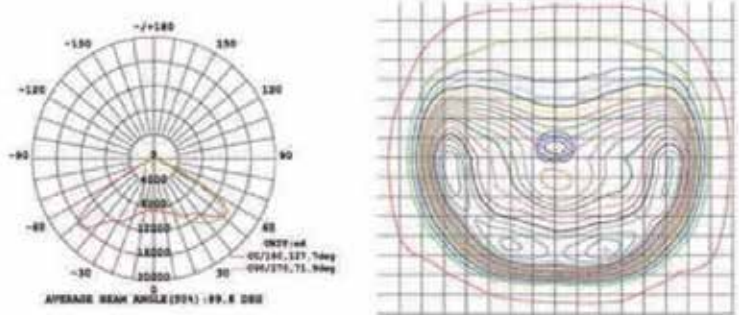


**GREENSTONE (USA), INC.**  
 971 Corporate Way, Fremont, CA 94539, USA  
 Toll Free: 877-206-5021, Fax: (510) 683-9313  
 jamal@greenstoneusa.com, john@greenstoneusa.com  
 www.greenstoneusa.com

# LED Shoebox Light



## Light Distribution Curve Reference:



## Parts:

**Fishbone style heat sink on the back**  
**Anti-dust design**

**Photocell (day light) sensor upgradeable**

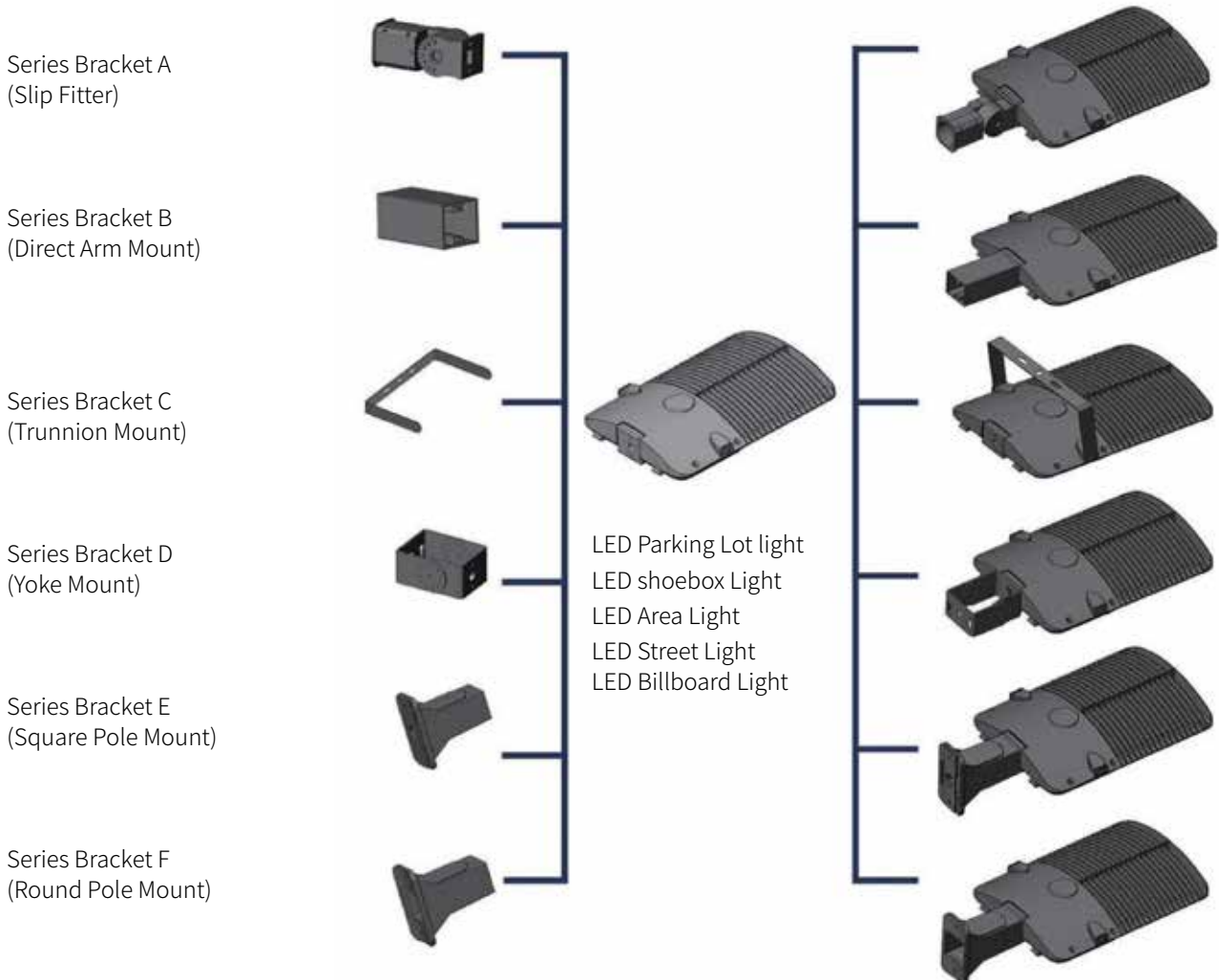
**6 main optional brackets Available**

**Mean Well HLG sense driver**  
**Driver efficiency up to 95%**

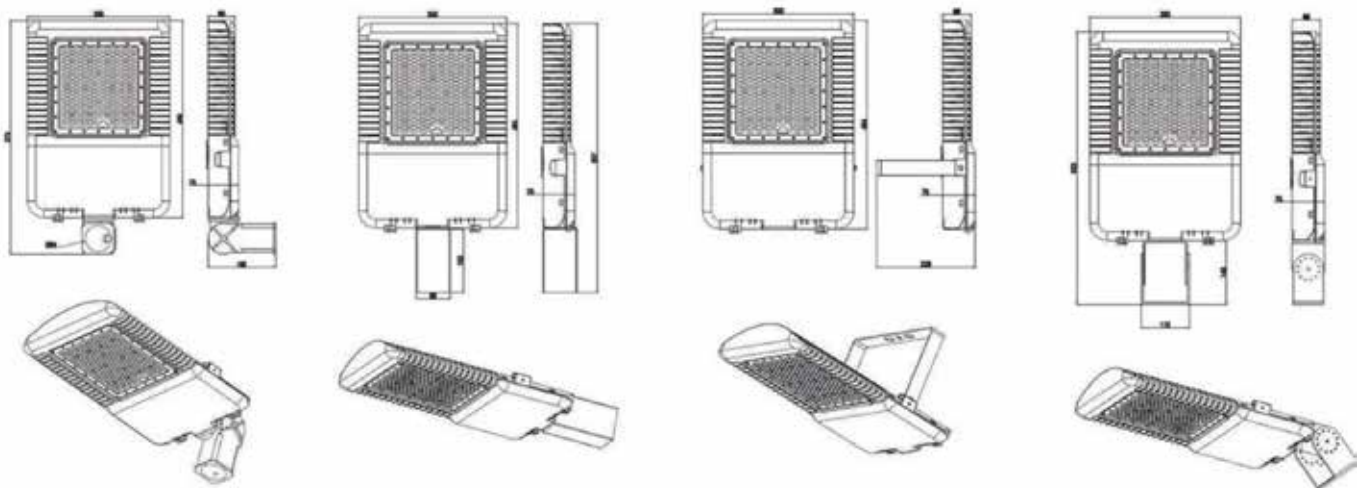
**Lumileds Luxeon 3030 Chip**  
 System efficacy up to 130 lm/W  
 Optional beam angle:  
 Type II/Type III/Type V



## Multi-function series bracket



## Drawing:





**GREENSTONE (USA), INC.**  
 971 Corporate Way, Fremont, CA 94539, USA  
 Toll Free: 877-206-5021, Fax: (510) 683-9313  
 jamal@greenstoneusa.com, john@greenstoneusa.com  
 www.greenstoneusa.com

# LED Shoebox Light



## Ordering Information:

Model No.	Power Usage Watts	Dimensions L×W×H	Weight (lbs)	CCT	Output Lumens
GS-SB-75W	75W	22"×10.9"×3.0"	12.35	3000-6500K	9,750 lms
GS-SB-110W	110W	22"×10.9"×3.0"	12.35	3000-6500K	143,000 lms
GS-SB-150W	150W	22"×10.9"×3.0"	12.35	3000-6500K	195,000 lms
GS-SB-180W	180W	25.1"×13.8"×3.0"	18.52	3000-6500K	234,000 lms
GS-SB-225W	225W	25.1"×13.8"×3.0"	18.52	3000-6500K	292,500 lms
GS-SB-265W	265W	25.1"×13.8"×3.0"	18.52	3000-6500K	344,500 lms

## Packaging:

Model No.	Q'ty Per Carton	Carton Size L×W×H	Gross Weight (lbs)
GS-SB-75W	1	26.18"×13.90"×5.31"	14.77
GS-SB-110W	1	26.18"×13.90"×5.31"	14.77
GS-SB-150W	1	26.18"×13.90"×5.31"	14.77
GS-SB-180W	1	29.53"×17.32"×7.09"	21.50
GS-SB-225W	1	29.53"×17.32"×7.09"	23.81
GS-SB-265W	1	29.53"×17.32"×7.09"	23.81





**GREENSTONE (USA), INC.**  
971 Corporate Way, Fremont, CA 94539, USA  
Toll Free: 877-206-5021, Fax: (510) 683-9313  
jamal@greenstoneusa.com, john@greenstoneusa.com  
www.greenstoneusa.com

# LED Shoebox Light



## Warranty

**5 years warranty for original purchaser of LED product that is identified on seller's invoice reflecting its original purchase (the "Product").**

1. In order to make a warranty claim, you must notify seller in writing within sixty (60) days after your discovery of the defect, provide proof of purchase such as the invoice and comply with seller's other warranty requirements. Upon receiving that notice, to ascertain why fixtures stop working, evidences would be needed for seller's QC Team to analyze. Seller may require you to promptly return the Product to Seller when necessary, freight prepaid.
2. The determination of whether the Product is defective shall be made by Seller in its sole discretion with consideration given to the overall performance of the Product.
3. If seller determines the Product is defective, Seller will elect, in its sole discretion, repair the Product or replace the Product. Seller reserves the right to utilize new, reconditioned, refurbished, repaired or remanufactured products or parts in the warranty repair or replacement process. Such products and parts will be comparable in function and performance to an original product or part, as determined by Seller in its sole discretion, and warranted for the remainder of the original warranty period. However, cost of labor and equipment to remove the defective product and install a repaired or a replacement Product at the end-user facility are excluded. Supplier's aggregate liability with respect to a defective product shall in any event be limited to the money paid to buyer for that defective product.

**The following circumstances will not be warranted:**

1. Damage caused by force majeure such as war, riots, sabotage, cyclones, earthquakes, tidal waves, flooding, lighting strikes, explosions, fire, flood, etc.
2. Damage caused by user's improper delivery, defects caused by wrong operation, wrong treatment and destruction of machinery.
3. Dismantling or modification or improper maintenance or repairing of the products without the supplier's authorization.
4. Damage caused by buyer or installer using bad quality cable or other mismatching electronic parts.
5. This warranty is invalid if the product is not used for the purpose for which is originally designed. Any disputes occurred shall be applied to the laws and regulations of P.R.C.

**The seller has the sole right to interpret and amend the above articles.**

## Reminder

We appreciate your purchase!  
Please read the instruction manual before installation and keep it for future reference.

## Warning

1. To avoid damage, falling, electric shock or fire, please do not modify the lamp or replace accessories without confirming with the supplier first.
2. Please authorize only qualified personnel to install the lamp and ensure they follow the instruction manual. Any improper installation might cause falling, electric shock, fire, or other injury, damage or hazard.
3. Please disconnect power before installation or any maintenance of the lamp.
4. Please disconnect power if it begins to smoke or emit odors, since fire or electric shock may occur. Ask qualified person to inspect and maintain the luminaire.
5. Please do not dismantle the lamp without the supplier's authorization.
6. Please do not touch the power supply when the lamp is operating.
7. If the external flexible cable or cord of the luminaire is damaged, it should only be replaced by the supplier, a service agent or qualified person.