



GREENSTONE (USA), INC.
 971 Corporate Way, Fremont, CA 94539, USA
 Toll Free: 877-206-5021, Fax: (510) 683-9313
 jamal@greenstoneusa.com, john@greenstoneusa.com
 www.greenstoneusa.com

LED Flood Light

GS-FL-150W-5700

GS-FL-250W-5700

LED Flood Light Data Sheet



Specifications		
Dimensions	14.4" × 11.8" × 7.4"	18.3" × 13.6" × 7.8"
	365 × 299 × 187mm	465 × 345 × 197mm
Model No.	GS-FL-150W-5700	GS-FL-250W-5700
Input Power	150W	250W
Lumen Output	17,536 lm	29,450 lm
Lumen Efficiency	106 lm/W	112 lm/W
Color Temperature	5700K	
UL Code	Yes	
DLC Code	Yes	
CRI	>74	
IP Grade	IP65	
Input Voltage	AC100~277V 50/60Hz	
Materials		
Power Driver	Mean Well	
LED Brand	Philips	
Housing	Aluminum	
Cover Type	Tempered glass panel	
Additional		
Operating Temp.	-35°C To 55°C	
Operating Humidity	20%~70% RH	
Storage Temp.	-30°C To 80°C	
Storage Humidity	10%~75% RH	
Application	Outdoor	
Safety Certification	UL DLC Lighting Facts	
Rated Lifetime	50,000 Hours	
Warranty Time	5 Years (Extended Available)	

LED Flood light is widely used in shopping center, exhibition hall, parking lot, stadium, gymnasias, park, billboard, statue, government lighting decoration project, landmark or building, public square and passage, building connecting passage, and other indoor or outdoor light applications. 50,000 hours life rating, 5 years warranty and extensions available.

50,000 hours life rating, **5 years warranty** and extensions available.





GREENSTONE (USA), INC.
 971 Corporate Way, Fremont, CA 94539, USA
 Toll Free: 877-206-5021, Fax: (510) 683-9313
 jamal@greenstoneusa.com, john@greenstoneusa.com
 www.greenstoneusa.com

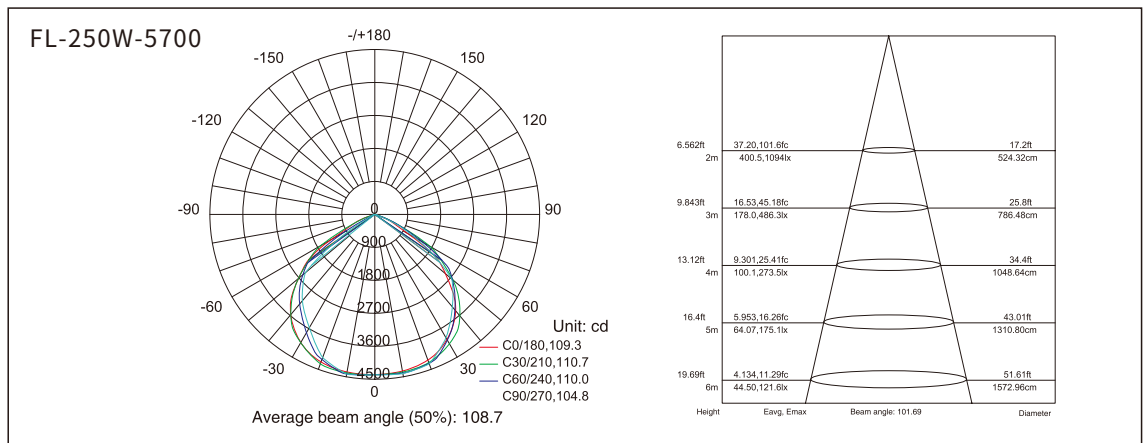
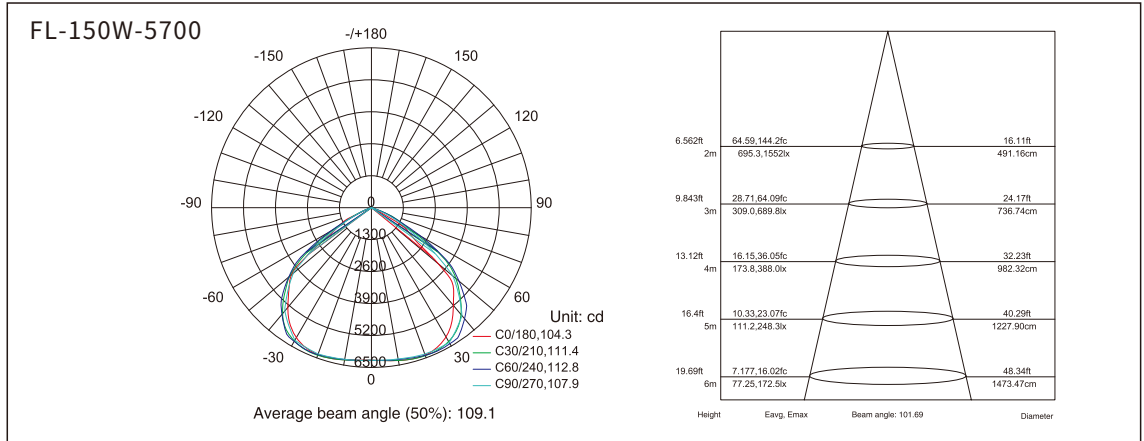
LED Flood Light



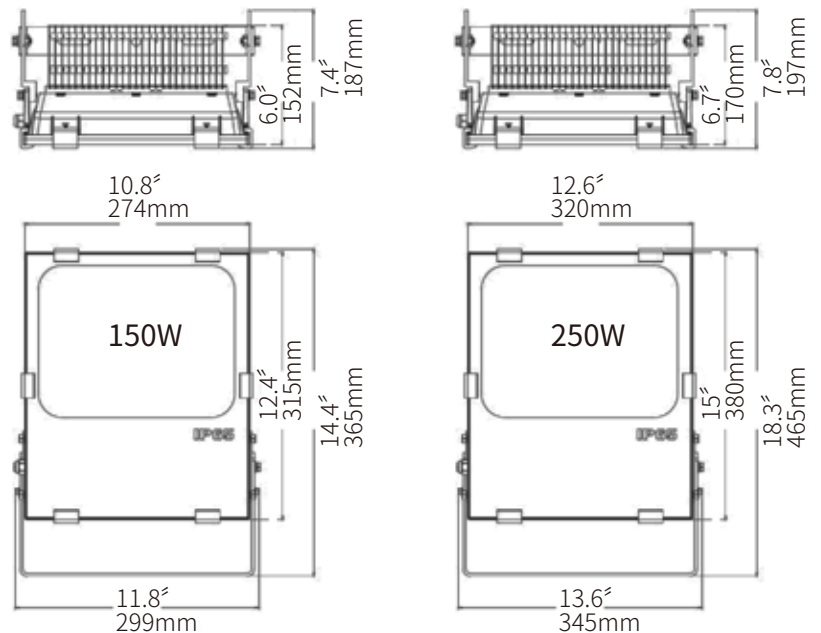
Light Distribution Curve Reference:

Light distribution curve drawing

Illumination Distribution Drawing



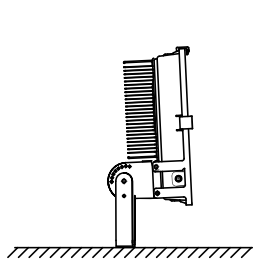
Drawing:



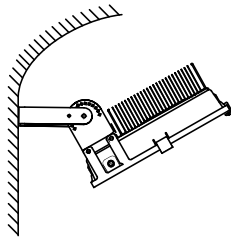


Installation:

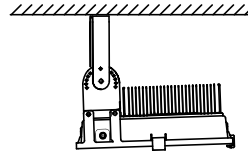
1. Choose the installation



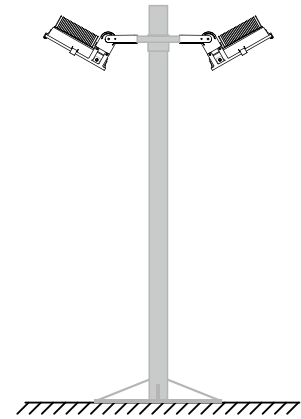
1). Ground Installation



2). Wall Installation



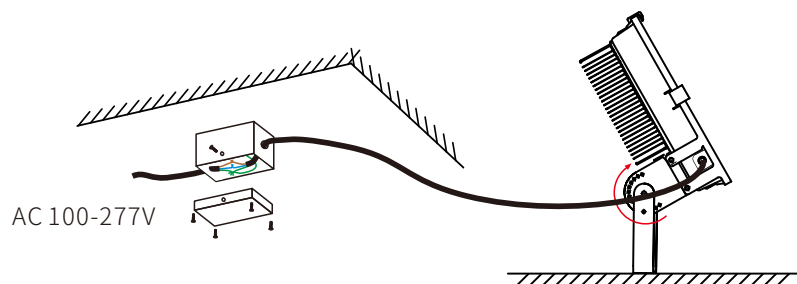
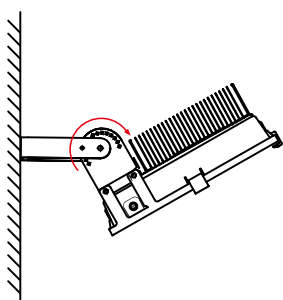
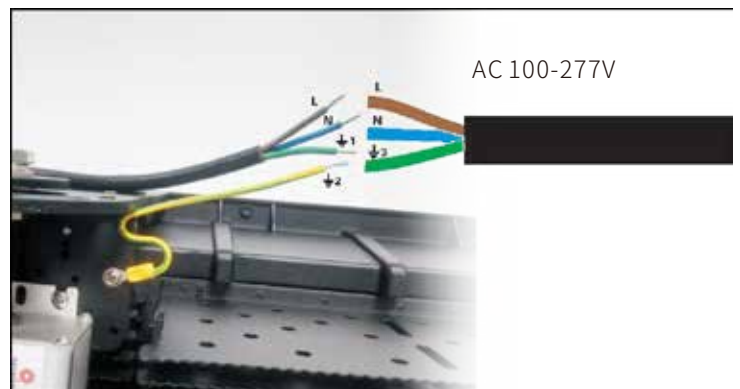
3). Ceiling Installation



4). Pole-installation

2. Power the installation

- 1). Install the lamp into where you need.
- 2). Install the fix bracket or put some expansion nail to where you need to install of the lamp.
- 3). Connect the power wire, and make waterproof protection.
- 4). Adjust the bracket to get the lighting angle you want and fix it.



- 5). Use UL complied junction box and strain relief means to meet installation requirements.

Material: Zinc-iron.

The diameter of the hole for power cord should not more than 10mm.

Turn off power supply.

Put the power cord in the junction box, and make a knot in the cord as strain relief.

Connect the wire in the junction box by close-end connector. Please note that the power cord which black (mark L) should be connected to the natural and the green/yellow (mark G) should be connected to the ground.

Fix the junction box cover by screw.



GREENSTONE (USA), INC.
 971 Corporate Way, Fremont, CA 94539, USA
 Toll Free: 877-206-5021, Fax: (510) 683-9313
 jamal@greenstoneusa.com, john@greenstoneusa.com
 www.greenstoneusa.com

LED Flood Light

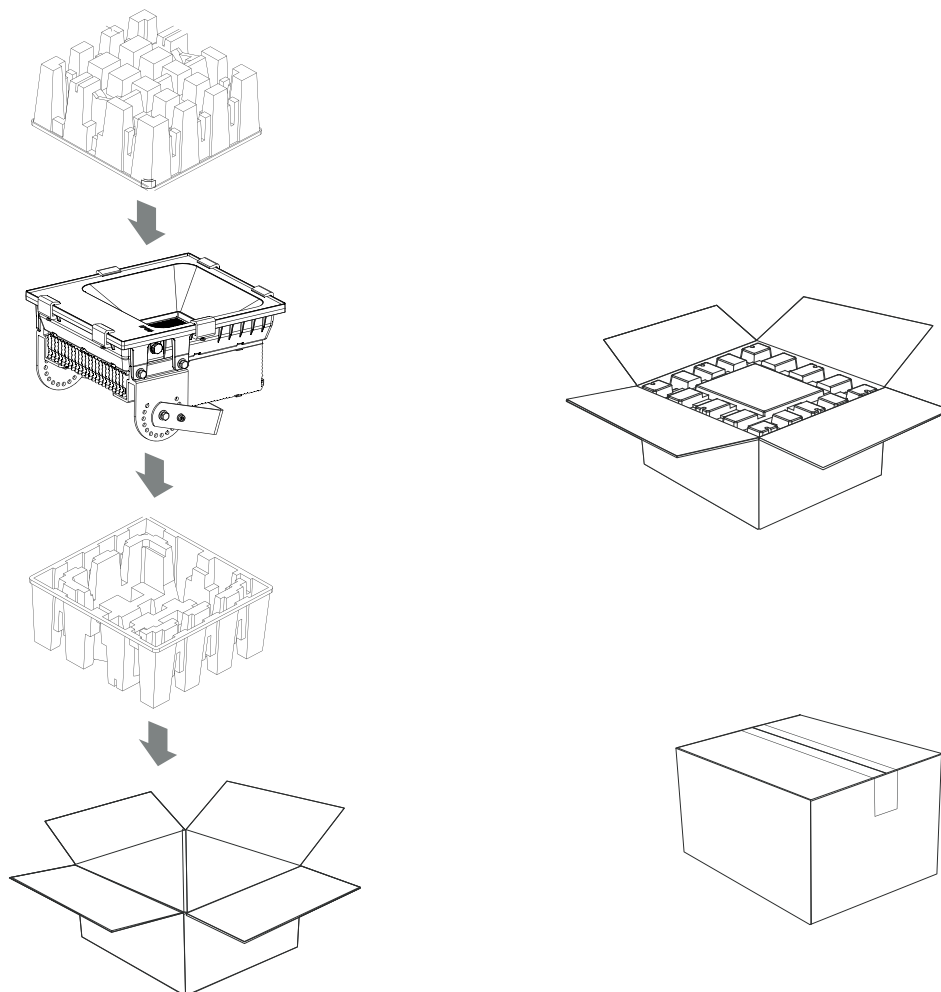


Ordering Information:

Model No.	Power Usage	Dimensions L×W×H	Weight (lbs)	CCT	Input Voltage
GS-FL-150W-5700	150W	14.4"×11.8"×7.4"	11.66	5700K	AC100-277V
GS-FL-250W-5700	250W	18.3"×13.6"×7.8"	17.52	5700K	AC100-277V

Packaging:

Model No.	Q'ty Per Carton	Carton Size L×W×H	Gross Weight (lbs)
GS-FL-150W-5700	1	15.4"×13.6"×10.3"	14.24
GS-FL-250W-5700	1	20.1"×16.6"×10.6"	21.74





GREENSTONE (USA), INC.
971 Corporate Way, Fremont, CA 94539, USA
Toll Free: 877-206-5021, Fax: (510) 683-9313
jamal@greenstoneusa.com, john@greenstoneusa.com
www.greenstoneusa.com

LED Flood Light



Warranty

5 years warranty for original purchaser of LED product that is identified on seller's invoice reflecting its original purchase (the "Product").

1. In order to make a warranty claim, you must notify seller in writing within sixty (60) days after your discovery of the defect, provide proof of purchase such as the invoice and comply with seller's other warranty requirements. Upon receiving that notice, to ascertain why fixtures stop working, evidences would be needed for seller's QC Team to analyze. Seller may require you to promptly return the Product to Seller when necessary, freight prepaid.
2. The determination of whether the Product is defective shall be made by Seller in its sole discretion with consideration given to the overall performance of the Product.
3. If seller determines the Product is defective, Seller will elect, in its sole discretion, repair the Product or replace the Product. Seller reserves the right to utilize new, reconditioned, refurbished, repaired or remanufactured products or parts in the warranty repair or replacement process. Such products and parts will be comparable in function and performance to an original product or part, as determined by Seller in its sole discretion, and warranted for the remainder of the original warranty period. However, cost of labor and equipment to remove the defective product and install a repaired or a replacement Product at the end-user facility are excluded. Supplier's aggregate liability with respect to a defective product shall in any event be limited to the money paid to buyer for that defective product.

The following circumstances will not be warranted:

1. Damage caused by force majeure such as war, riots, sabotage, cyclones, earthquakes, tidal waves, flooding, lighting strikes, explosions, fire, flood, etc.
2. Damage caused by user's improper delivery, defects caused by wrong operation, wrong treatment and destruction of machinery.
3. Dismantling or modification or improper maintenance or repairing of the products without the supplier's authorization.
4. Damage caused by buyer or installer using bad quality cable or other mismatching electronic parts.
5. This warranty is invalid if the product is not used for the purpose for which is originally designed. Any disputes occurred shall be applied to the laws and regulations of P.R.C.

The seller has the sole right to interpret and amend the above articles.

Reminder

We appreciate your purchase!
Please read the instruction manual before installation and keep it for future reference.

Warning

1. To avoid damage, falling, electric shock or fire, please do not modify the lamp or replace accessories without confirming with the supplier first.
2. Please authorize only qualified personnel to install the lamp and ensure they follow the instruction manual. Any improper installation might cause falling, electric shock, fire, or other injury, damage or hazard.
3. Please disconnect power before installation or any maintenance of the lamp.
4. Please disconnect power if it begins to smoke or emit odors, since fire or electric shock may occur. Ask qualified person to inspect and maintain the luminaire.
5. Please do not dismantle the lamp without the supplier's authorization.
6. Please do not touch the power supply when the lamp is operating.
7. If the external flexible cable or cord of the luminaire is damaged, it should only be replaced by the supplier, a service agent or qualified person.