



GREENSTONE (USA), INC.
971 Corporate Way, Fremont, CA 94539, USA
Toll Free: 877-206-5021, Fax: (510) 683-9313
jamal@greenstoneusa.com, john@greenstoneusa.com
www.greenstoneusa.com

Portable Working Light

GS-PWL-360D-KS-60W

GS-PWL-360D-KS-100W



Portable Working Light

GREENSTONE (USA), INC.
 971 Corporate Way, Fremont, CA 94539, USA
 Toll Free: 877-206-5021, Fax: (510) 683-9313
 jamal@greenstoneusa.com, john@greenstoneusa.com
www.greenstoneusa.com



Product Features:

- Each lamp with a plug, easy to carry and install.
- Metal lamp guards and hook are made of stainless steel, added safety.
- UL,cUL,DLC4.0 standard, CE RoHS, LM79, LM80 Listed.
- 6000V high voltage surge protection.
- IP65 waterproof rating provide better used in outdoor application.
- 80% energy saving, high brightness with Samsung/Epistar 2835 LEDs.
- Long lifespan up to 50,000 hours.

GS-PWL-360D-KS-60W

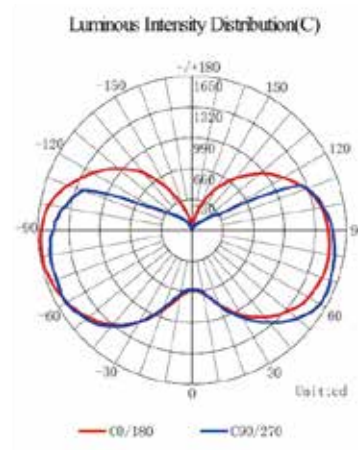
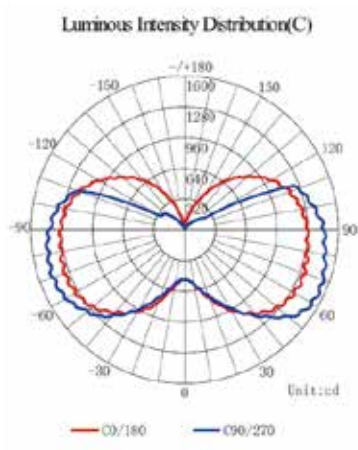


60W

GS-PWL-360D-KS-100W



100W



Item NO.	Watt	LED Chip	Lumen	CCT	Voltage	CRI	PF	Beam Angle	IP Rating
----------	------	----------	-------	-----	---------	-----	----	------------	-----------

GS-PWL-360D-KS-60W	60W	198LEDs Samsung/Epistar 2835	7800lm	3000K 4000K	AC100-300V	>80	>0.9	360°	IP65
GS-PWL-360D-KS-100W	100W	676LEDs Samsung/Epistar 2835	13000lm	5000K 6000K					

Light Effect:	130lm/W ±10%	Test Standard :	IES/IP65/LM79/LM80
Surge Voltage:	6000V	Safety Certification:	DLC/CE/RoHS
Lifespan:	50000hrs	Warranty Time:	5 Years

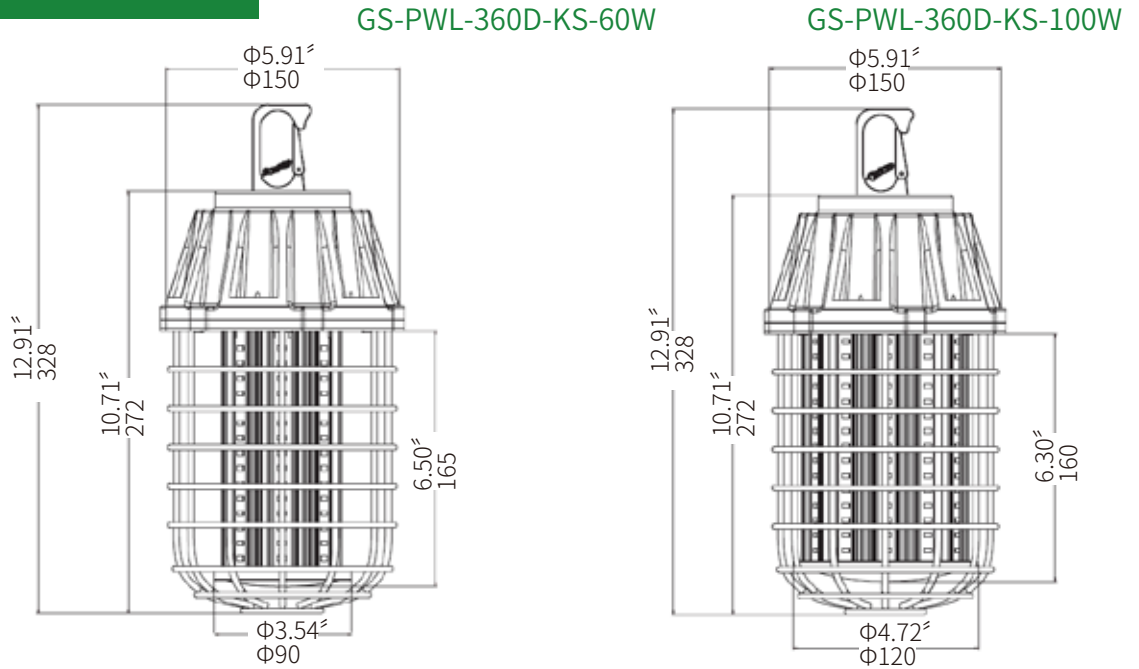


GREENSTONE (USA), INC.
 971 Corporate Way, Fremont, CA 94539, USA
 Toll Free: 877-206-5021, Fax: (510) 683-9313
 jamal@greenstoneusa.com, john@greenstoneusa.com
 www.greenstoneusa.com

Portable Working Light



Dimension:



Details:

360 degree beam angle



No Fan Design



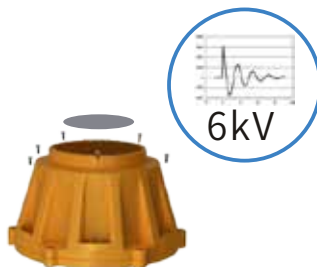
LM80 listed SMD2835, 120-130lm/W



Isolated led driver with Rubycon capacitor, long lifespan and good heat dissipation.



6000V high voltage surge protection.



Waterproof rubber plug between heat sink and driver, waterproof, dustproof and anti-mosquitoes.



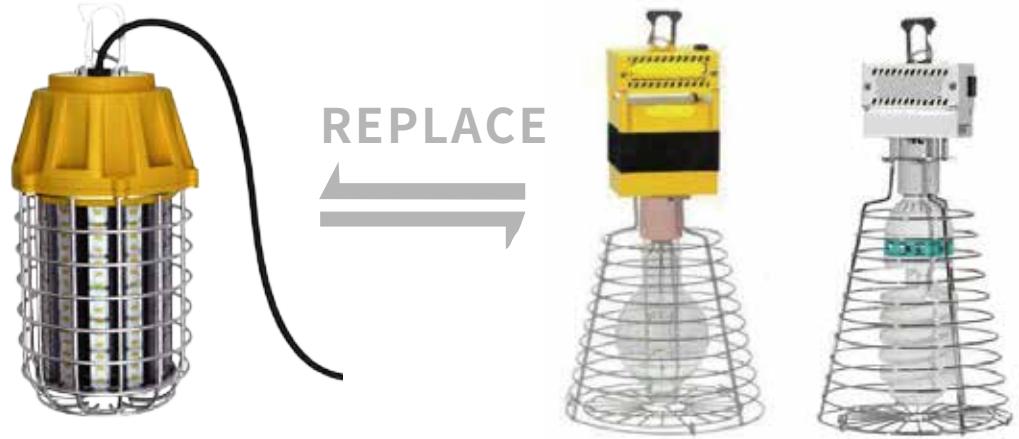


GREENSTONE (USA), INC.
 971 Corporate Way, Fremont, CA 94539, USA
 Toll Free: 877-206-5021, Fax: (510) 683-9313
 jamal@greenstoneusa.com, john@greenstoneusa.com
 www.greenstoneusa.com

Portable Working Light



Replace:

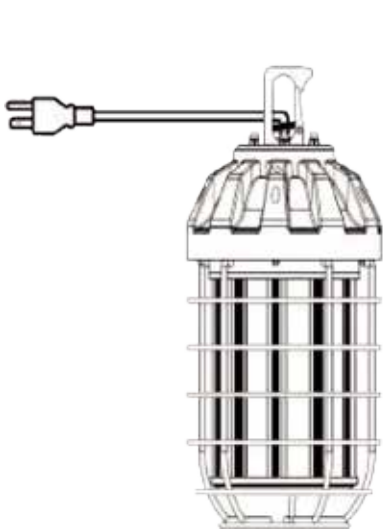


Application:

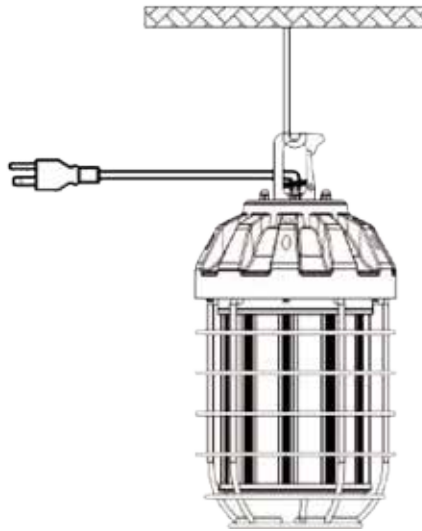




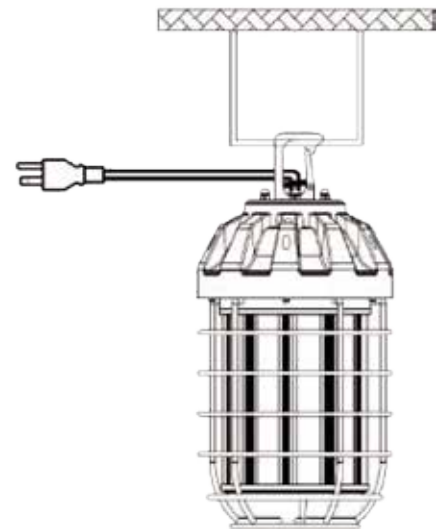
Installation:



Step: 1
 Tightening 0 hook
 FIXED hook screw



Step: 2
 Ensure the fixed wall
 strong enough can
 bear 30kg



Step: 3
 Turn on the power
 (AC100-277V) and test

Packing:

Model No.	GS-PWL360D-KS-60W	GS-PWL360D-KS-100W
Net Weight	5.73lbs 2.6kg	6.83lbs 3.1kg
Inner box size	14.21" x7.40" x7.56" 366x188x192mm	14.21" x7.40" x7.56" 366x188x192mm
Gross Weight	6.83lbs 3.1kg	7.80lbs 3.54kg
Garton size	14.41" x15.28" x15.94" 378x388x405mm	14.41" x15.28" x15.94" 378x388x405mm
Gross Weight	28.66lbs 13.0kg	33.51lbs 15.2kg
Packing Qty.	4pcs/carton	





GREENSTONE (USA), INC.
971 Corporate Way, Fremont, CA 94539, USA
Toll Free: 877-206-5021, Fax: (510) 683-9313
jamal@greenstoneusa.com, john@greenstoneusa.com
www.greenstoneusa.com

Portable Working Light



Warranty

5 years warranty for original purchaser of LED product that is identified on seller's invoice reflecting its original purchase (the "Product").

1. In order to make a warranty claim, you must notify seller in writing within sixty (60) days after your discovery of the defect, provide proof of purchase such as the invoice and comply with seller's other warranty requirements. Upon receiving that notice, to ascertain why fixtures stop working, evidences would be needed for seller's QC Team to analyze. Seller may require you to promptly return the Product to Seller when necessary, freight prepaid.
2. The determination of whether the Product is defective shall be made by Seller in its sole discretion with consideration given to the overall performance of the Product.
3. If seller determines the Product is defective, Seller will elect, in its sole discretion, repair the Product or replace the Product. Seller reserves the right to utilize new, reconditioned, refurbished, repaired or remanufactured products or parts in the warranty repair or replacement process. Such products and parts will be comparable in function and performance to an original product or part, as determined by Seller in its sole discretion, and warranted for the remainder of the original warranty period. However, cost of labor and equipment to remove the defective product and install a repaired or a replacement Product at the end-user facility are excluded. Supplier's aggregate liability with respect to a defective product shall in any event be limited to the money paid to buyer for that defective product.

The following circumstances will not be warranted:

1. Damage caused by force majeure such as war, riots, sabotage, cyclones, earthquakes, tidal waves, flooding, lighting strikes, explosions, fire, flood, etc.
2. Damage caused by user's improper delivery, defects caused by wrong operation, wrong treatment and destruction of machinery.
3. Dismantling or modification or improper maintenance or repairing of the products without the supplier's authorization.
4. Damage caused by buyer or installer using bad quality cable or other mismatching electronic parts.
5. This warranty is invalid if the product is not used for the purpose for which is originally designed. Any disputes occurred shall be applied to the laws and regulations of P.R.C.

The seller has the sole right to interpret and amend the above articles.

Reminder

We appreciate your purchase!
Please read the instruction manual before installation and keep it for future reference.

Warning

1. To avoid damage, falling, electric shock or fire, please do not modify the lamp or replace accessories without confirming with the supplier first.
2. Please authorize only qualified personnel to install the lamp and ensure they follow the instruction manual. Any improper installation might cause falling, electric shock, fire, or other injury, damage or hazard.
3. Please disconnect power before installation or any maintenance of the lamp.
4. Please disconnect power if it begins to smoke or emit odors, since fire or electric shock may occur. Ask qualified person to inspect and maintain the luminaire.
5. Please do not dismantle the lamp without the supplier's authorization.
6. Please do not touch the power supply when the lamp is operating.
7. If the external flexible cable or cord of the luminaire is damaged, it should only be replaced by the supplier, a service agent or qualified person.