



## GS-PL31W-22HD

## GS-PL40W-22HD



### Samsung LED Panel 2×2 Light Data Sheet

Specifications	
Dimensions	23.74"×23.74"×0.53"
	603mm×603mm×13.5mm
Model No.	GS-PL31W-22HD      GS-PL40W-22HD
Input Power	31W      40W
Lumen Output	3,875lm      5,000 lm
Lumen Efficiency	>120 lm/W
Color Temperature	4000K, 5000K
UL Code	Yes
DLC Code	Yes
CRI	>80
Beam Angle	120 Degrees
Cover Type	Frosted
Input Voltage	AC100~277V 50/60Hz
Materials	
LED Brand	Samsung
LED Type	SMD 2835
LED Driver	XZ-power
Additional	
Operating Temp.	-20°C To 40°C
Operating Humidity	20%~70% RH
Storage Temp.	-30°C To 80°C
Storage Humidity	10%~75% RH
Application	Indoor
Safety Certification	DLC   UL   FC   RoHS
Rated Lifetime	50,000 Hours
Warranty Time	5 Years (Extended Available)

LED Flat Panels are the ideal energy-efficient replacements for fluorescent fixtures in offices, school, hospital, healthcare and other commercial and industrial applications.

This LED flat panel is revolutionary, LED lighting guide-plate with high brightness LEDs.

Used as lighting for standard commercial ceiling grids, it is typically used to replace standard 2x2 fluorescent luminaires.

**50,000 hours life rating, 5 years warranty and extensions available.**



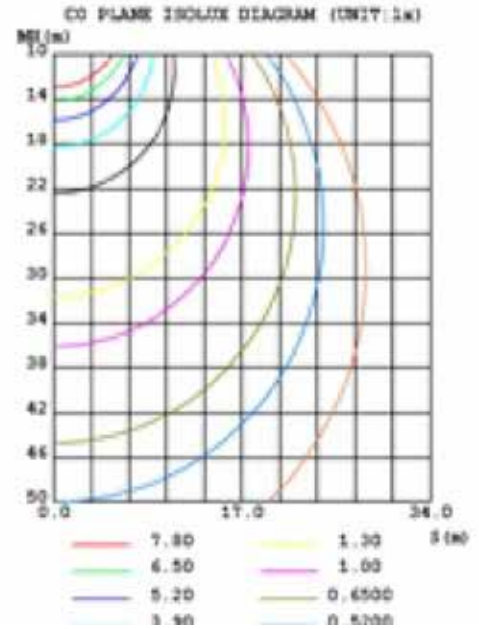
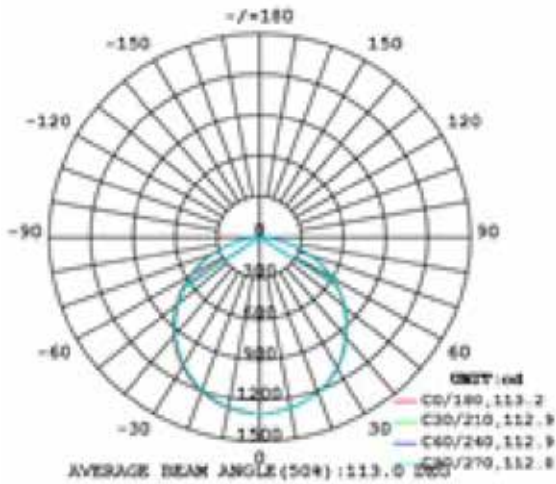


**GREENSTONE (USA), INC.**  
971 Corporate Way, Fremont, CA 94539, USA  
Toll Free: 877-206-5021, Fax: (510) 683-9313  
jamal@greenstoneusa.com, john@greenstoneusa.com  
www.greenstoneusa.com

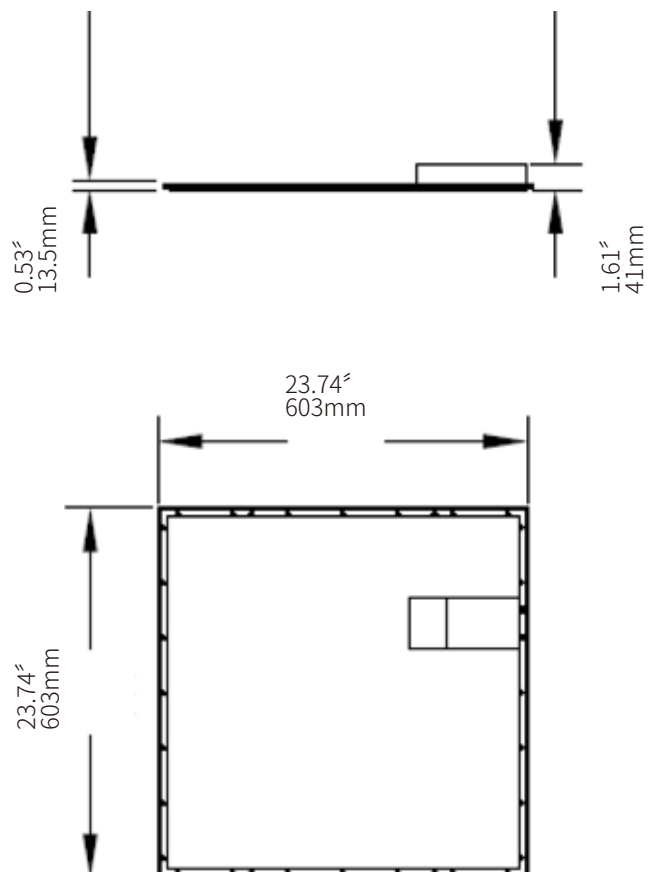
# Samsung LED Panel 2x2 Light



## Spectrum Chart:



## Drawing and Dimensions:

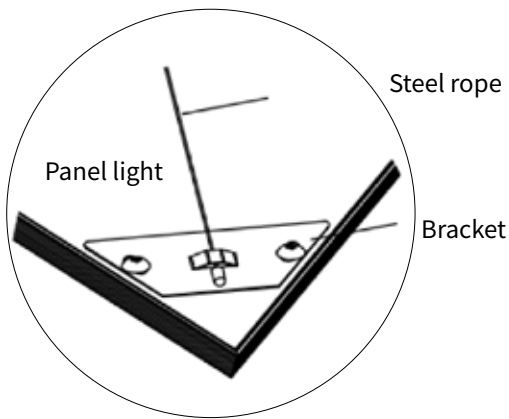




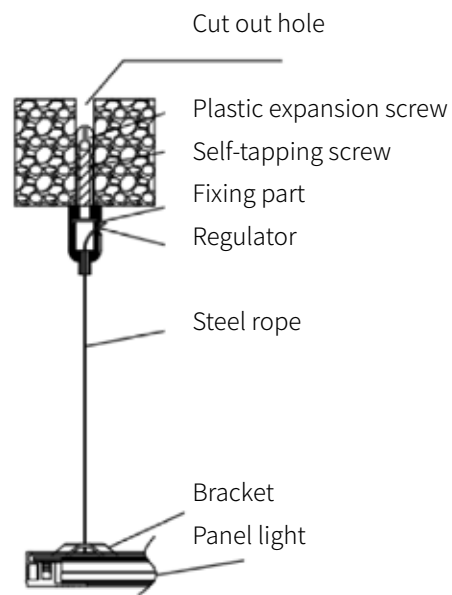
## Installation:

### 1. Suspension Installation: Parts & Instruction

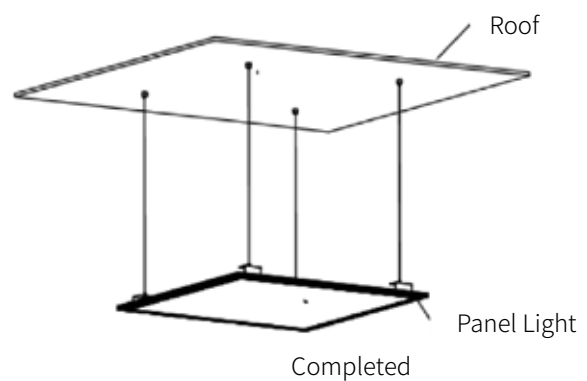
1). Insert the steel rope into the bracket



2). Install as below diagram



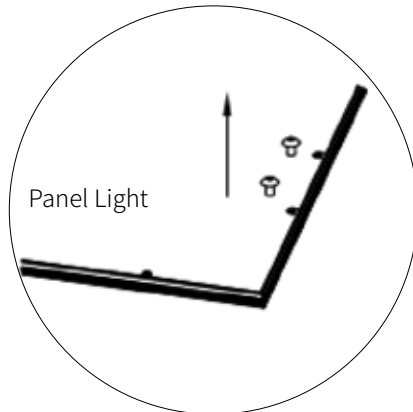
3). Adjust the regulator to the suitable height



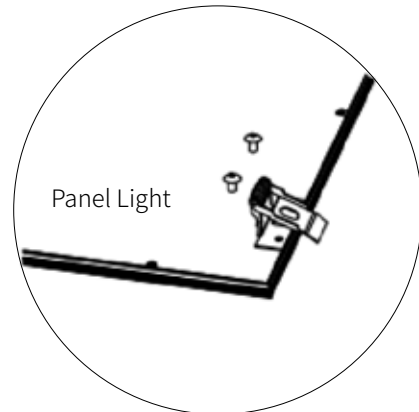


## 2. Recessed Installation: Parts & Instruction

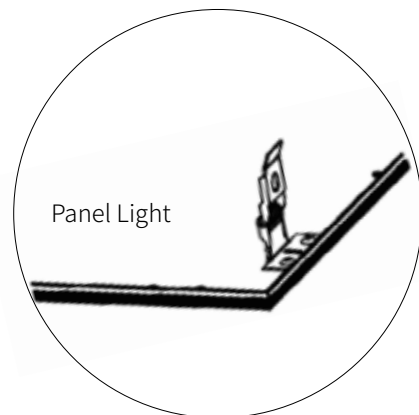
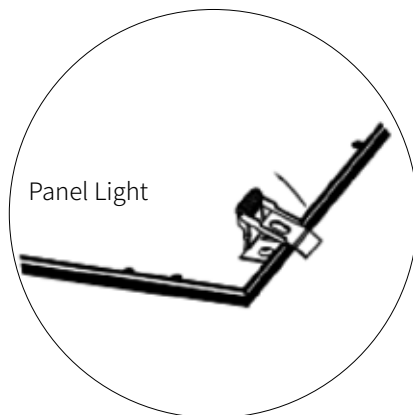
1). Remove the original screws of these positions



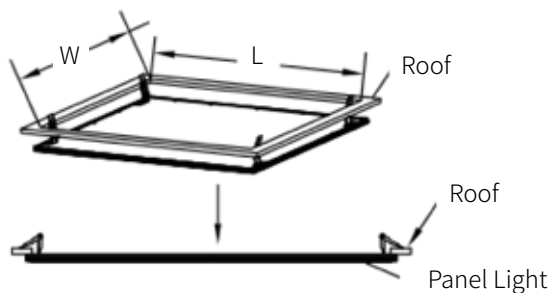
2). Fix the hanging parts with screws



3). Stretch the four spring hangers and insert onto the backside of roof



4). Completed



Note: The Brackets need to be ordered as accessories separately suitable height





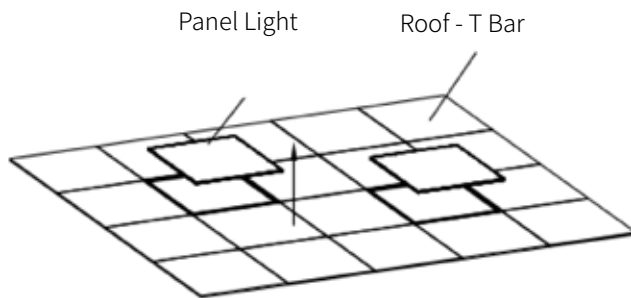
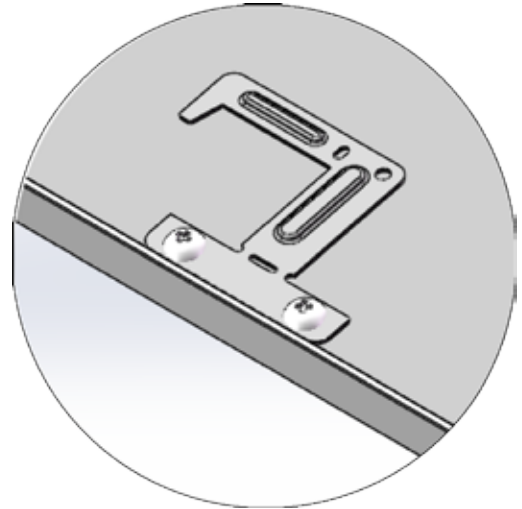
**GREENSTONE (USA), INC.**  
971 Corporate Way, Fremont, CA 94539, USA  
Toll Free: 877-206-5021, Fax: (510) 683-9313  
jamal@greenstoneusa.com, john@greenstoneusa.com  
www.greenstoneusa.com

# Samsung LED Panel 2x2 Light

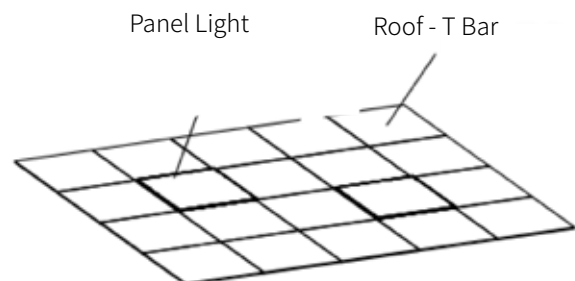


## 3. Recessed Installation: T-Bar

- 1). Connect the power wire, then put the panel with vibration proof buckle onto the T-Bar



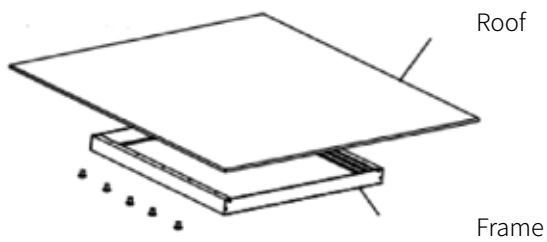
- 2). Completed



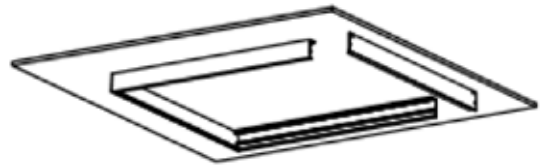


## 4. Frame Installation: Parts & Instruction

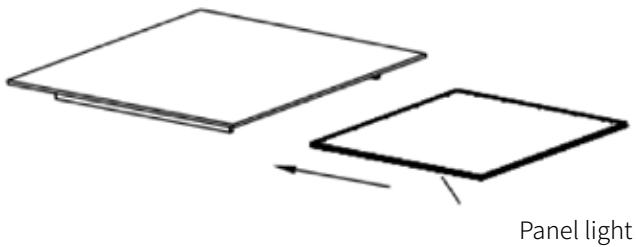
1). The roof frame looks installed



2). One side of the perforated assembly disassembly framework



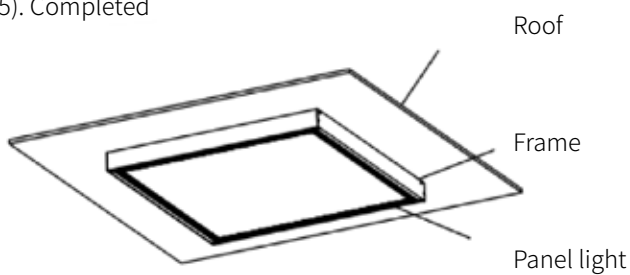
3). The panel light push into the frame in the direction of the arrow in fig



4). Mounting frame assembly



5). Completed





**GREENSTONE (USA), INC.**  
 971 Corporate Way, Fremont, CA 94539, USA  
 Toll Free: 877-206-5021, Fax: (510) 683-9313  
 jamal@greenstoneusa.com, john@greenstoneusa.com  
 www.greenstoneusa.com

# Samsung LED Panel 2x2 Light

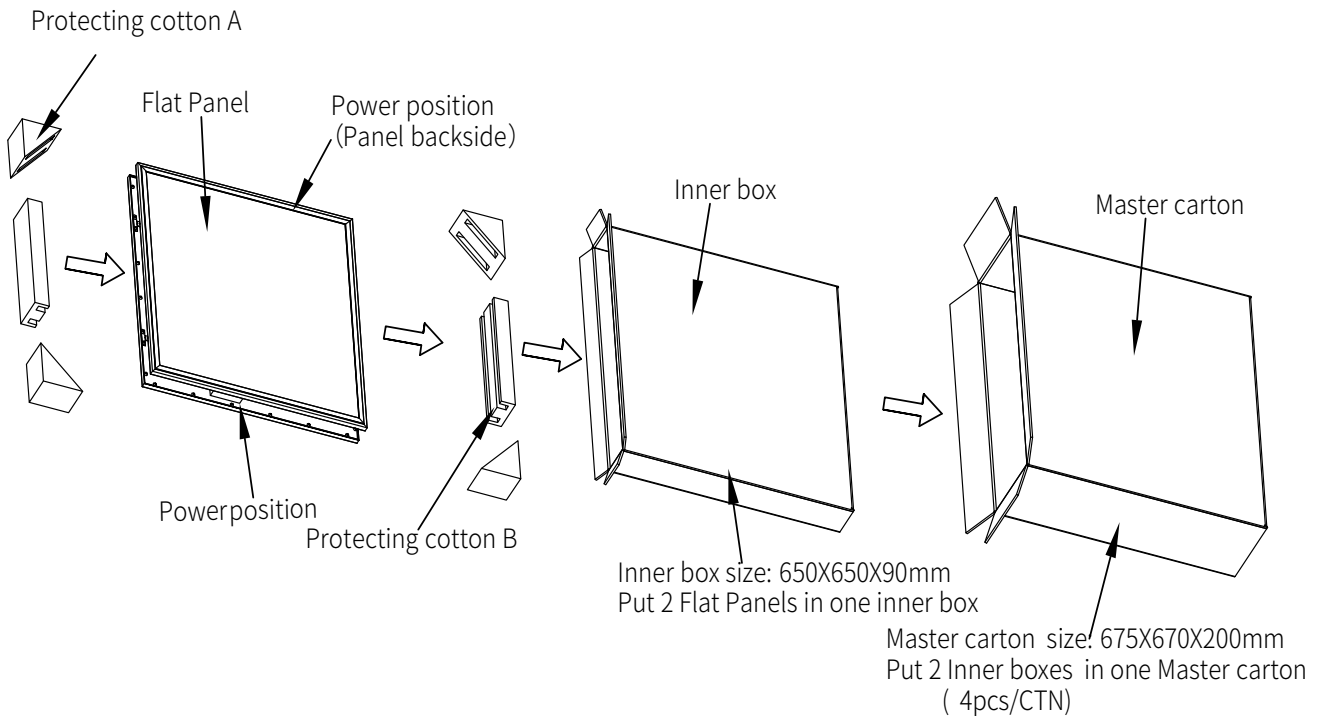


## Ordering Information:

Model No.	Power Usage	Dimensions L×W×H (Inches/mm)	Weight (lbs)	CCT	AC Input Voltage
GS-PL31W-22HD	31W	23.74"×23.74"×0.53"/603×603×13.5	10.14	4000K, 5000K	AC100-277V
GS-PL40W-22HD	40W	23.74"×23.74"×0.53"/603×603×13.5	10.14	4000K, 5000K	AC100-277V

## Packaging:

Model No.	Q'ty Per Carton	Carton Size L×W×H (Inches/mm)	Gross Weight (lbs)
GS-PL31W-22HD	4	26.57"×26.38"×7.87"/675×670×200	47.4
GS-PL40W-22HD	4	26.57"×26.38"×7.87"/675×670×200	47.4





**GREENSTONE (USA), INC.**  
 971 Corporate Way, Fremont, CA 94539, USA  
 Toll Free: 877-206-5021, Fax: (510) 683-9313  
 jamal@greenstoneusa.com, john@greenstoneusa.com  
 www.greenstoneusa.com

# Samsung LED Panel 2×2 Light



## Warranty

5 years warranty for original purchaser of LED product that is identified on seller’s invoice reflecting its original purchase (the “Product”).

1. In order to make a warranty claim, you must notify seller in writing within sixty (60) days after your discovery of the defect, provide proof of purchase such as the invoice and comply with seller’s other warranty requirements. Upon receiving that notice, to ascertain why fixtures stop working, evidences would be needed for seller’s QC Team to analyze. Seller may require you to promptly return the Product to Seller when necessary, freight prepaid.
2. The determination of whether the Product is defective shall be made by Seller in its sole discretion with consideration given to the overall performance of the Product.
3. If seller determines the Product is defective, Seller will elect, in its sole discretion, repair the Product or replace the Product. Seller reserves the right to utilize new, reconditioned, refurbished, repaired or remanufactured products or parts in the warranty repair or replacement process. Such products and parts will be comparable in function and performance to an original product or part, as determined by Seller in its sole discretion, and warranted for the remainder of the original warranty period. However, cost of labor and equipment to remove the defective product and install a repaired or a replacement Product at the end-user facility are excluded. Supplier’s aggregate liability with respect to a defective product shall in any event be limited to the money paid to buyer for that defective product.

The following circumstances will not be warranted:

1. Damage caused by force majeure such as war, riots, sabotage, cyclones, earthquakes, tidal waves, flooding, lighting strikes, explosions, fire, flood, etc.
2. Damage caused by user’s improper delivery, defects caused by wrong operation, wrong treatment and destruction of machinery.
3. Dismantling or modification or improper maintenance or repairing of the products without the supplier’s authorization.
4. Damage caused by buyer or installer using bad quality cable or other mismatching electronic parts.
5. This warranty is invalid if the product is not used for the purpose for which is originally designed. Any disputes occurred shall be applied to the laws and regulations of P.R.C.

The seller has the sole right to interpret and amend the above articles.

## Reminder

We appreciate your purchase!  
 Please read the instruction manual before installation and keep it for future reference.



## Warning

1. To avoid damage, falling, electric shock or fire, please do not modify the lamp or replace accessories without confirming with the supplier first.
2. Please authorize only qualified personnel to install the lamp and ensure they follow the instruction manual. Any improper installation might cause falling, electric shock, fire, or other injury, damage or hazard.
3. Please disconnect power before installation or any maintenance of the lamp.
4. Please disconnect power if it begins to smoke or emit odors, since fire or electric shock may occur. Ask qualified person to inspect and maintain the luminaire.
5. Please do not dismantle the lamp without the supplier’s authorization.
6. Please do not touch the power supply when the lamp is operating.
7. If the external flexible cable or cord of the luminaire is damaged, it should only be replaced by the supplier, a service agent or qualified person.