



GREENSTONE (USA), INC.
 971 Corporate Way, Fremont, CA 94539, USA
 Toll Free: 877-206-5021, Fax: (510) 683-9313
 jamal@greenstoneusa.com, john@greenstoneusa.com
 www.greenstoneusa.com

LED T8 tube

Ballast Fully Compatible



Model Number:

GS-T8-18W1200 BIXF

Performance Summary:

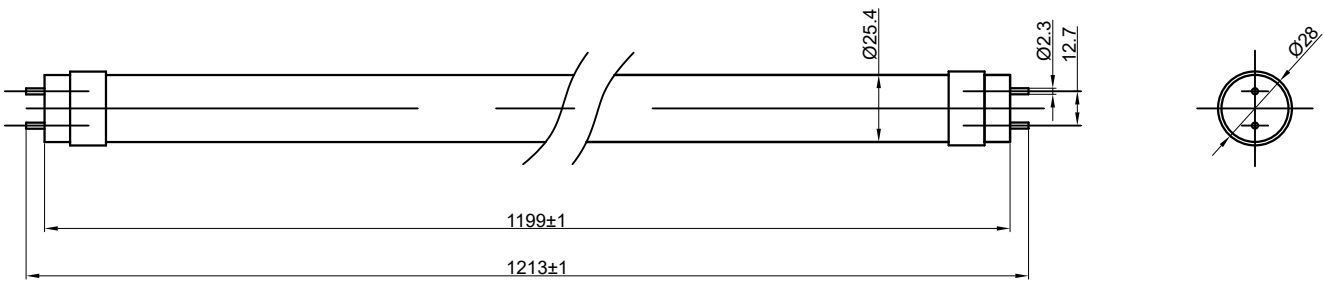
Directly replace fluorescent 4ft T8-plug and play, no rewiring Fully compatible with most of magnetic ballast or electronics ballast DirFully functional by-passing existing ballast in the circuit 4ft,18W, lumen efficacy of 110~120lm/W, 50% energy saving .
 CRI:Ra>80,
 THD<20
 UL/cUL, DLC Certified
 5 year Warranty.



Ordering Information:

Model Number	Description	Lumen Efficacy	Length	Input Voltage	Watts	Lumens	Certificates
GS-T8-18W1200 BIXF	18W,T8 tube,4ft, non-dim. ballast compatible, instant fit, no re-wiring	110-120 lm/W	4ft	100-277V AC (cover 100-120V AC)	18	2,160lm	UL/cUL, DLC

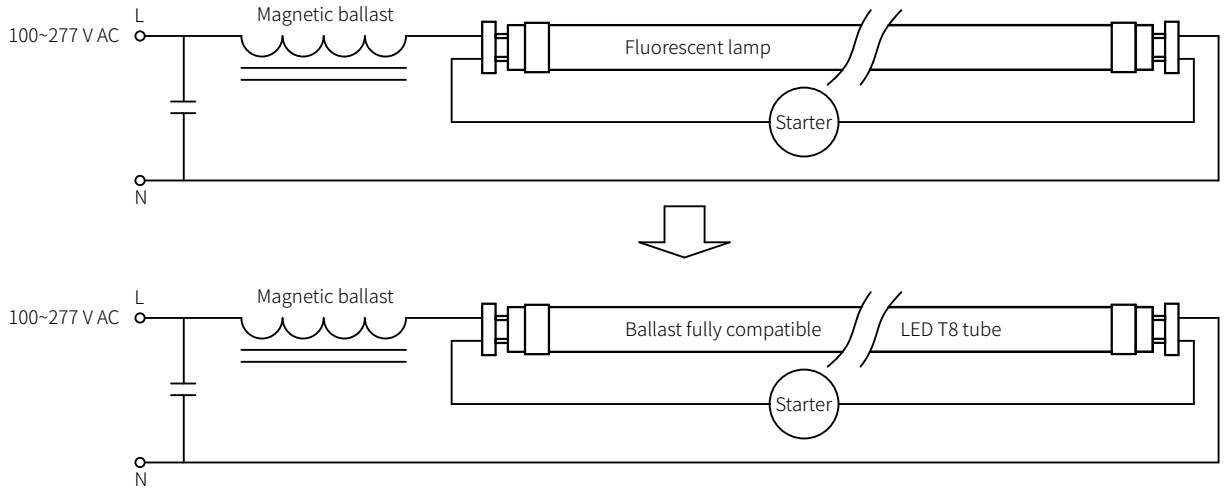
Drawing:



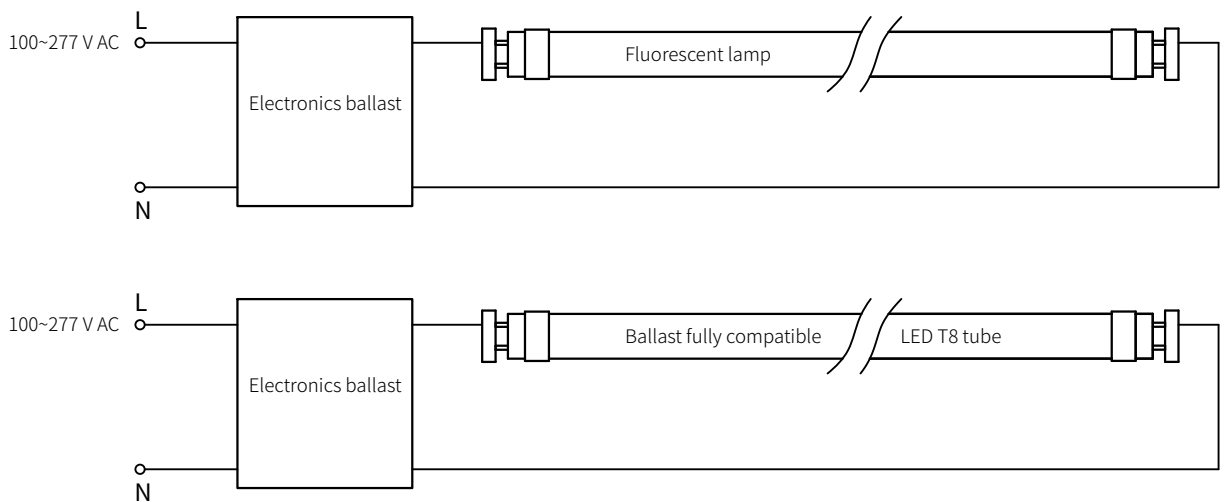


Installation Diagrams:

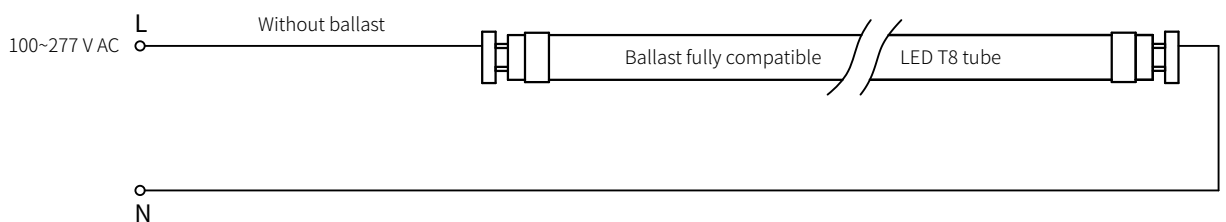
Scenario 1: Magnetic Ballast Circuit



Scenario 2: Electronics Ballast Circuit



Scenario 3: By pass existing ballast in the circuit





GREENSTONE (USA), INC.
 971 Corporate Way, Fremont, CA 94539, USA
 Toll Free: 877-206-5021, Fax: (510) 683-9313
 jamal@greenstoneusa.com, john@greenstoneusa.com
 www.greenstoneusa.com

LED T8 tube

Ballast Fully Compatible

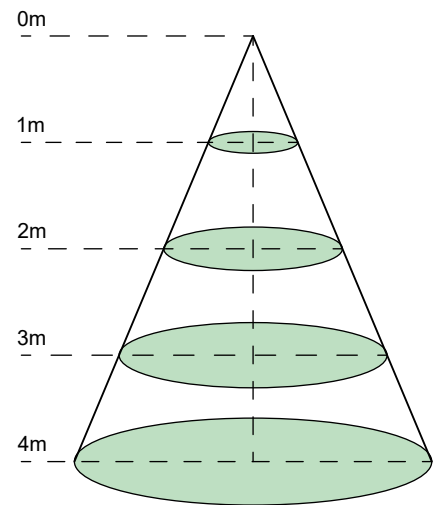


Features:

LED type: 120 pcs SMD2835
 Luminous Efficacy : 110~120lm/W
 Power: 18W(rated), ±0.5W (actual)
 Power Factor: >0.95
 THD: <20
 Lens Option: Frosted, Clear
 Color Temperature: 3000K ,4000K, 5000K
 CRI:Ra>80
 Connectors: G13

Beam Angle: 150 degree
 Net Weight: 0.7LBs
 Instant on, no flicker or buzz
 Directly replace fluorescent 4ft T8-plug and play, no rewiring
 Fully compatible with most of magnetic ballast or electronics ballast
 Fully functional by-passing existing ballast in the circuit
 Warranty: 5 years
 Certificate: UL/cUL , DLC

Lux Chart:



Model Number	Height	Average Lux (lx)	Light range (dia.)
GS-T8-18W1200 BIXF	1m	450	273cm
GS-T8-18W1200 BIXF	2m	112	546cm
GS-T8-18W1200 BIXF	3m	50	819cm
GS-T8-18W1200 BIXF	4m	28	1092cm



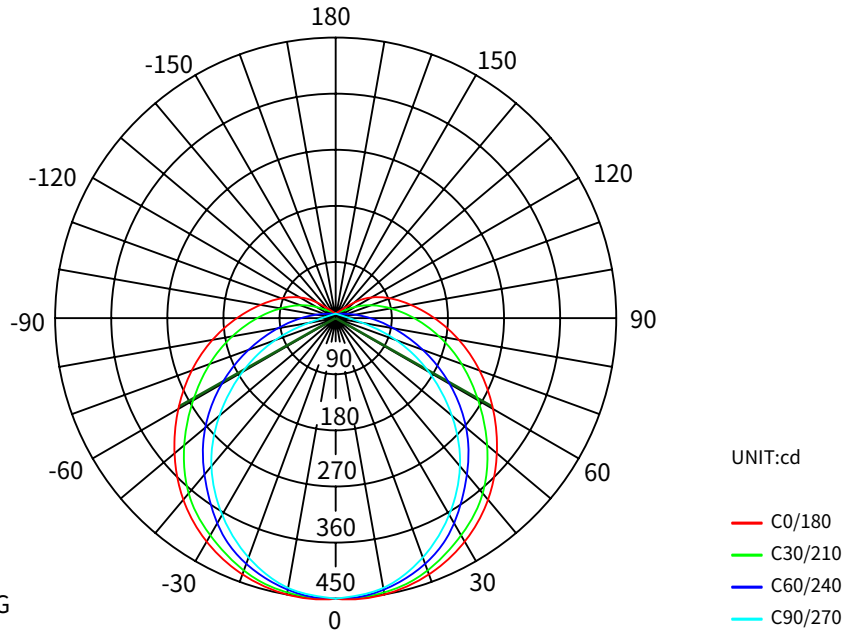
GREENSTONE (USA), INC.
 971 Corporate Way, Fremont, CA 94539, USA
 Toll Free: 877-206-5021, Fax: (510) 683-9313
 jamal@greenstoneusa.com, john@greenstoneusa.com
 www.greenstoneusa.com

LED T8 tube

Ballast Fully Compatible



Photometrics:



GS-T8-18W1200 BIXF
 Average Beam Angle(50%):121.1 DEG

Packaging:

Dimension	Carton size	G.W/Carton	Quantity
4ft	49"x8.6"x9.8"	22.5 lbs	30pcs

