



GREENSTONE (USA), INC.
 971 Corporate Way, Fremont, CA 94539, USA
 Toll Free: 877-206-5021, Fax: (510) 683-9313
 jamal@greenstoneusa.com, john@greenstoneusa.com
 www.greenstoneusa.com

LED T8 tube

4ft Internal Driver



Model Number:

GS-T8-18W1200 BISS

Performance Summary:

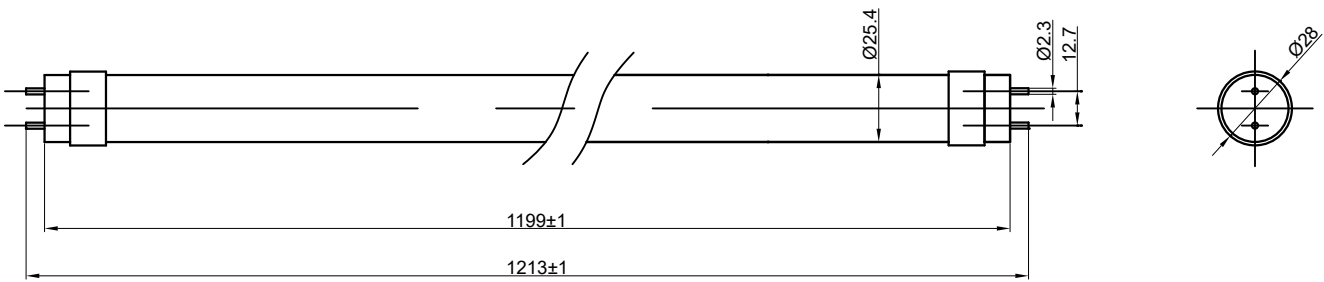
Length: 4 ft
 Power Consumption: 18W ± 1W
 Luminous Efficacy : 120lm/W
 CCT: 3000K, 4000K, 5000K
 Lens: Frosted, Clear CRI: Ra>80
 Warranty: 5 years



Ordering Information:

Model Number	Description	Dimmable	Length	Input Voltage	Watts	Lumens	Certificates
GS-T8-18W1200 BISS	18W,T8 tube,4ft, Internal driver, Single End	No	1200mm/4ft	100-277V AC (Cover 100-120V AC)	18	2,160lm	DLC

Drawing:



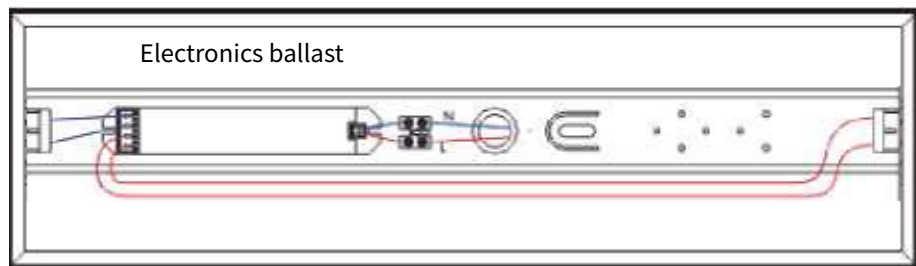


Installation Instruction:

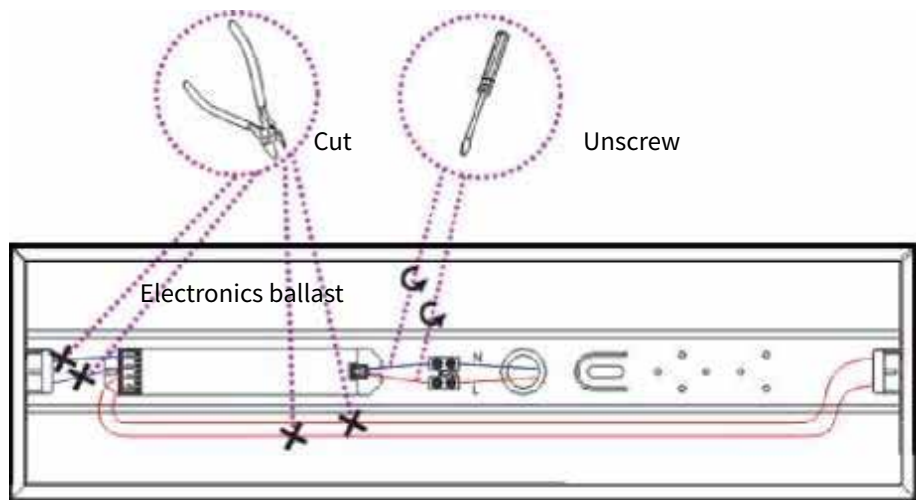
It is a MUST to remove starter and electronic ballast or Inductive/magnetic ballast(if any) from circuit.
 Wiring retrofit kits as One end power

This item is retrofit kit(3or4lamps) for 2x4 troffer use, wiring in troffer as below.

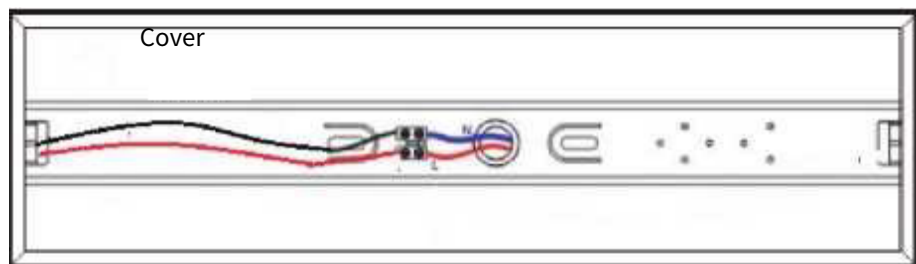
- Step 1: Turn off power before installation;
- Step 2: Remove existed fluorescent lamp;
- Step 3: Open the ballast box,internal wire as No1;



Step 4: Cut off the wire and move the ballast away, as NO:2;



- Step 5: Connected L and N to one of the socket;
- Step 6: Place the ballast cover back, and drop the retrofit kits in socket,
- Step 7: The same step as above, drop 2nd ,3rd or 4th retrofit kits in troffer,then lighting up it.





GREENSTONE (USA), INC.
 971 Corporate Way, Fremont, CA 94539, USA
 Toll Free: 877-206-5021, Fax: (510) 683-9313
 jamal@greenstoneusa.com, john@greenstoneusa.com
www.greenstoneusa.com

LED T8 tube

4ft Internal Driver

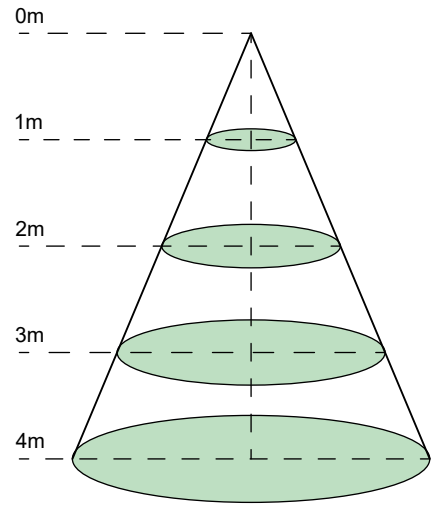


Features:

- Operate Voltage: 100-277V AC, 50/60Hz
- LED type: 120 pcs SMD2835
- Luminous Efficacy : 120lm/W
- Power: 18W(rated), ±1W (actual)
- Power Factor: >0.95
- THD: <20
- Lens Option: Frosted, Clear
- Color Temperature: 3000K, 4000K ,5000K
- CRI:Ra>80
- Connectors: G13,Single End

- Beam Angle: 150 degree
- Net Weight: 0.7 lbs
- Warranty: 5 years
- Certificate: DLC

Lux Chart:



Model Number	Height	Average Lux (lx)	Light range (dia.)
GS-T8-18W1200 BISS	1m	450	273cm
GS-T8-18W1200 BISS	2m	112	546cm
GS-T8-18W1200 BISS	3m	50	819cm
GS-T8-18W1200 BISS	4m	28	1092cm

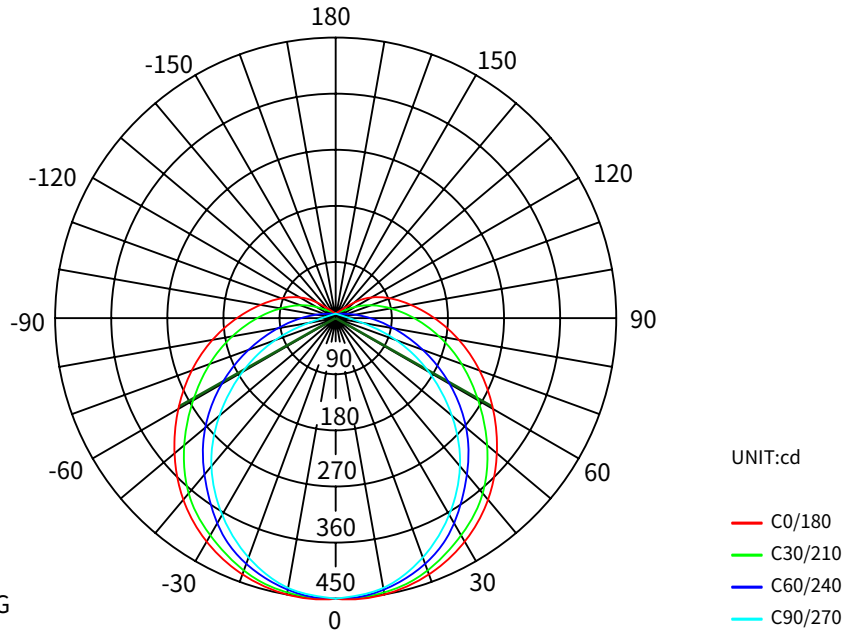


GREENSTONE (USA), INC.
 971 Corporate Way, Fremont, CA 94539, USA
 Toll Free: 877-206-5021, Fax: (510) 683-9313
 jamal@greenstoneusa.com, john@greenstoneusa.com
 www.greenstoneusa.com

LED T8 tube 4ft Internal Driver



Photometrics:



GS-T8-18W1200 BISS
 Average Beam Angle(50%):121.1 DEG

Packaging:

Dimension	Carton size	G.W/Carton	Quantity
4ft	49"x8.6"x9.8"	22.5 lbs	30pcs

