



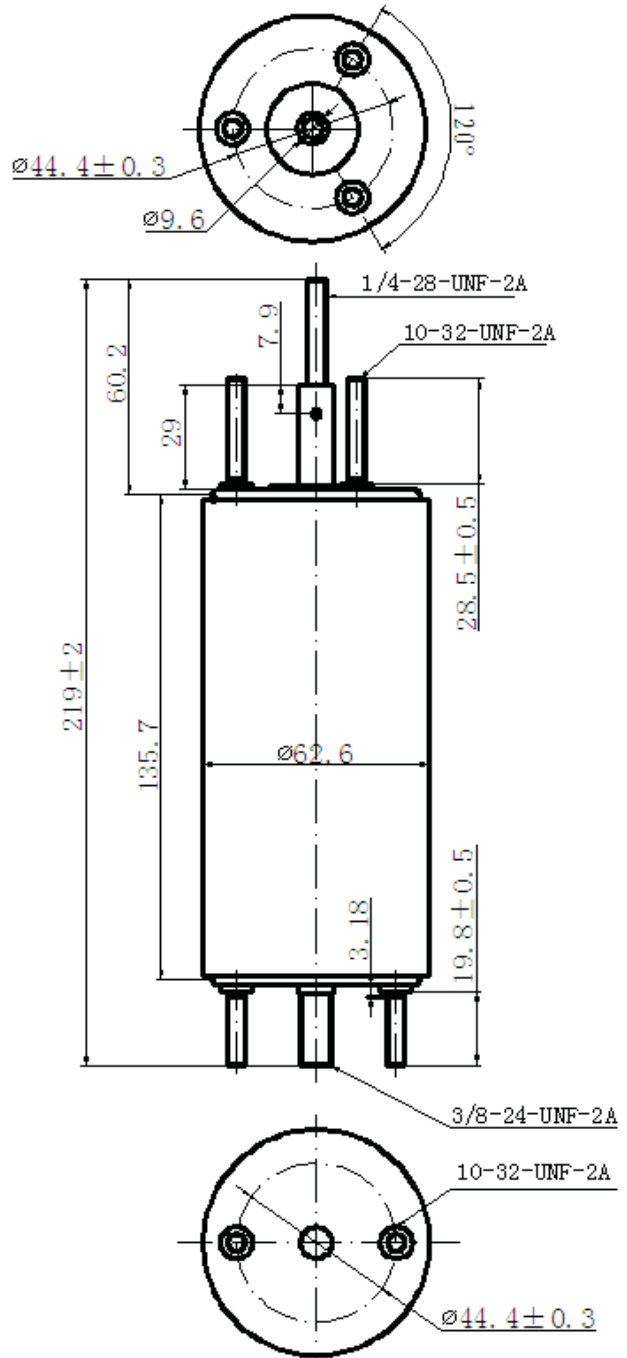
Vacuum Interrupter

VT328

BOTTLES PROFILE

This type of vacuum interrupter is the special contact interrupter with cup shaped contacts holder adopting axial magnetic field intended to install in the accordant vacuum circuit-breaker or other vacuum distribution devices. It is recommended for use in the electric power, mechanical, chemical and metallurgical department as well as mines and other industrial department where it is operated frequently. The small sized interrupter is noted for compact design, large switching capacity and high insulating level.

Features	Units	Values
Rated Maximum Line-to-Line Voltage	kV	38
Rated Continuous Current	A	200
Rated Low Frequency Withstand Voltage	kV	70
Rated Full Wave Impulse Withstand Voltage	kV	150
Rated Short Circuit Current	A	2000
Rated 1 Second, Short-Time Current	A	10000
Contact Stroke	mm	9.5 ± 0.5
Contact Resistance At Rated Continuous Current	μΩ	<68
Interrupter Weight	kg	0.92
Machanical Life	operations	5000





Vacuum Interrupter

VT328

Electrical Ratings, 3 Phase Rating Symmetrical Basis	Unit	Value
Rated Frequency	Hz	50/60
Rated Maximum Line-to-Line Voltage	kV	38
Rated Low Frequency Withstand Voltage	kV	70
Rated Full Wave Impulse Withstand Voltage	kV	150
Rated Continuous Current	A	200
Contact Resistance at Rated Continuous Current	$\mu\Omega$	< 68
Rated Short Circuit Current (symmetrical)	A	2000
Asymmetry Ratios, Maximum		1.4
Rated Momentary, Close-And-Latch-Symmetrical, at Required Minimum Additional Force	A	16000
Rated 1 Second, Short-Time Current	A	10000
Rated Cable Charging Current	A	40
Rated Magnetizing Current	A	21
Interrupter Weight	kg	0.92
Moving Part Weight	kg	0.37
Contact Force from Atmospheric Pressure	N	16
Contact Stroke	mm	9.5 ± 0.5
Opening Speed, Average to 75% of Rated Stroke	m/s	0.9~1.1
Overtravel During Opening, Max	mm	1.5
Closing Speed, Average of 33% of Rated Stroke	m/s	0.7~0.9
Contact Bounce Duration, Max	s	0.002
Minimum Added Force for Momentary Test	N	667
Mechanical Life Using Specified Stroke	operations	5000
Contact Erosion Limit	mm	1.5
Contact Closing Force Due To Bellow And Atmosphere	N	89 ± 5
Gas Pressure Inside Vacuum Interrupter	Pa	1.3×10^{-3}
Shelf Life	Year	20